



9. LOUPES

Magnifying Loupe ASCO

for Watchmaker

TYPE H

Black unbreakable frame, interior matt. Duralumin ring screwed in. Blushed 25 mm diameter lens, best optic.

| Ref. | Value | Magnification | Price |
|-------|-------|---------------|-------|
| 00160 | 1 | 10 x | 15.20 |
| 00161 | 1 1/2 | 6.5 x | 15.20 |
| 00162 | 2 | 5 x | 15.20 |
| 00163 | 2 1/2 | 4 x | 15.20 |
| 00164 | 3 | 3.5 x | 15.20 |
| 00165 | 3 1/2 | 3 x | 15.20 |
| 00166 | 4 | 2.5 x | 15.20 |



TYPE H2 APLANATIC

Black unbreakable frame, interior matt. Duralumin ring screwed in. Double 25 mm diameter aplanatic convex lens, best optic.

| Ref. | Magnification | Price |
|-------|---------------|-------|
| 00174 | 10 x | 28.00 |
| 00175 | 14 x | 39.00 |



TYPE C2 APLANATIC

Black unbreakable frame, interior matt. Duralumin ring. Double blushed 14 mm diameter aplanatic convex lens. Monoblock lens.

| Ref. | Magnification | Price |
|-------|---------------|--------|
| 00177 | 10 x | 140.00 |
| 00178 | 12 x | 140.00 |
| 00179 | 16 x | 140.00 |
| 00180 | 20 x | 140.00 |



TYPE C3 ACHROMATIC

Black unbreakable frame, interior matt. Duralumin ring. Monoblock lens. Corrected system with 3 very luminous blushed lens, with large depth of field.

| Ref. | Ø Lens | Magnification | Price |
|-------|--------|---------------|--------|
| 00181 | 14 | 10 x | 234.00 |
| 00182 | 14 | 12 x | 234.00 |
| 00183 | 14 | 16 x | 234.00 |
| 00184 | 14 | 20 x | 234.00 |
| 00185 | 12 | 25 x | 264.00 |



Conditions of sale: Discount 10 % for 10 identical pieces.

September 2023

Magnifying Glasses 209



Schurch Asco SA

ASCO

Partenaire et Savoir-faire

AV. DU 1ER MARS 33, CP 3052
CH-2001 NEUCHÂTEL
SWITZERLAND

PHONE : +41 32 724 3434

FAX : +41 32 724 3436

EMAIL : INFO@SCHURCH-ASCO.COM

WEB : WWW.SCHURCH-ASCO.COM

Magnifying Loupe ASCO

for Watchmaker

TYPE ALUMINIUM



25 mm diameter biconvex bluish lens.

Frame: blue coated steel

Ring: coated steel



| Ref. | Value | Magnifying | Color Ring | Price |
|-------|-------|------------|------------|-------|
| 00468 | 1 | 10 x | Green | 32.50 |

| Ref. | Value | Magnifying | Color Ring | Price |
|-------|-------|------------|------------|-------|
| 00469 | 1 1/2 | 6.5 x | Blue | 32.50 |

| Ref. | Value | Magnifying | Color Ring | Price |
|-------|-------|------------|------------|-------|
| 00470 | 2 | 5 x | Yellow | 32.50 |

| Ref. | Value | Magnifying | Color Ring | Price |
|-------|-------|------------|------------|-------|
| 00471 | 2 1/2 | 4 x | Copper | 32.50 |

| Ref. | Value | Magnifying | Color Ring | Price |
|-------|-------|------------|------------|-------|
| 00472 | 3 | 3.5 x | Purple | 32.50 |

| Ref. | Value | Magnifying | Color Ring | Price |
|-------|-------|------------|------------|-------|
| 00473 | 3 1/2 | 3 x | Black | 32.50 |

| Ref. | Value | Magnifying | Color Ring | Price |
|-------|-------|------------|------------|-------|
| 00474 | 4 | 2.5 x | Alu | 32.50 |

Conditions of sale: Discount 10 % for 10 identical pieces.

210 Magnifying Glasses

June 2020



Magnifying Loupe ASCO

for Watchmaker

GRAY RUBBER TYPE

Biconvex lens diameter 25 mm bluish (anti-reflective on both sides). Soft rubber anti-fog frame. Colored anodized aluminum ring (magnification index).

| Ref. | Value | Magnifying | Color Ring | Price |
|-------|-------|------------|------------|-------|
| 00151 | 1 | 10 x | Green | 19.00 |

| Ref. | Value | Magnifying | Color Ring | Price |
|-------|-------|------------|------------|-------|
| 00152 | 1 1/2 | 6.5 x | Blue | 19.00 |

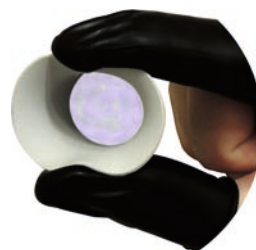
| Ref. | Value | Magnifying | Color Ring | Price |
|-------|-------|------------|------------|-------|
| 00153 | 2 | 5 x | Yellow | 19.00 |

| Ref. | Value | Magnifying | Color Ring | Price |
|-------|-------|------------|------------|-------|
| 00154 | 2 1/2 | 4 x | Copper | 19.00 |

| Ref. | Value | Magnifying | Color Ring | Price |
|-------|-------|------------|------------|-------|
| 00155 | 3 | 3.5 x | Purple | 19.00 |

| Ref. | Value | Magnifying | Color Ring | Price |
|-------|-------|------------|------------|-------|
| 00156 | 3 1/2 | 3 x | Black | 19.00 |

| Ref. | Value | Magnifying | Color Ring | Price |
|-------|-------|------------|------------|-------|
| 00157 | 4 | 2.5 x | Alu | 19.00 |



NEW LENSES
MORE PERFORMANCE



Conditions of sale: Discount 10 % for 10 identical pieces.

September 2023

Magnifying Glasses 211



Schurch Asco SA



Partenaire et Savoir-faire

AV. DU 1ER MARS 33, CP 3052
CH-2001 NEUCHÂTEL
SWITZERLAND

PHONE : +41 32 724 3434
FAX : +41 32 724 3436
EMAIL : INFO@SCHURCH-ASCO.COM
WEB : WWW.SCHURCH-ASCO.COM

Horology magnifying Loupe ASCO

TYPE 1806 A 30

Large field of vision, 30 mm diameter lens, black unbreakable frame, ventilation hole.

| Ref. | Value | Magnification | Price |
|-------|-------|---------------|-------|
| 00193 | 1 | 10 x | 22.90 |
| 00190 | 1 1/2 | 7 x | 19.90 |
| 00191 | 2 | 5 x | 17.30 |
| 00192 | 2 1/2 | 4 x | 16.60 |



Conditions de vente : Remise de 10 % pour 10 pièces identiques.

Measuring magnifying Loupe

TYPE F+C

Inclined magnifying glass with achromatic system of three corrected lenses. 15 mm scale divided in 0,1 mm. Delivered in a case.

| Ref. | Designation | Spécification | Price |
|-------|-------------|-------------------|--------|
| 00241 | loupe Ø 22 | Magnification 8 x | 197.00 |
| 00248 | reticule | spare | 86.00 |



Conditions of sale: Net prices.

Centering magnifying Loupe ASCO

SWISS MADE ALUMINIUM

Lens 14 mm diameter. Frame of black coated steel. Ring in coated ring (colour depends on the magnification).

| Ref. | Colour | Magnification | Price |
|-------|--------|---------------|--------|
| 00964 | Yellow | 5 x | 105.00 |
| 00965 | Blue | 6 x | 105.00 |
| 00966 | Steel | 8 x | 105.00 |
| 00967 | Green | 10 x | 105.00 |



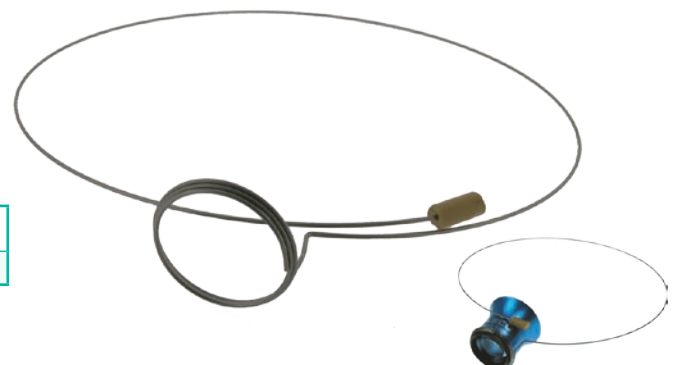
Conditions of sale: Discount 10 % for 10 identical pieces.

Magnifying Loupe-holder

TYPE 5461

Made of a stainless steel wire, fits to every magnifying glass.

| Ref. | Designation | Price |
|-------|-------------------------|-------|
| 00247 | Magnifying glass-holder | 3.95 |



Conditions of sale: Net prices.

212 Magnifying Glasses

September 2023



Magnifying Loupe ASCO for Engraver Ø 40mm

TYPE ALUMINIUM

Aluminum magnifying glass for engraver, bluish mineral glass + colored aluminum ring.



| Ref. | Diameter | Value | Magnification | Color Ring | Price |
|-------|----------|-------|---------------|------------|-------|
| 00171 | 40 mm | 2 | 5 x | Yellow | 69.00 |
| 00172 | 40 mm | 2 1/2 | 4 x | Copper | 69.00 |

Conditions of sale: Discount 10 % for 10 identical pieces.

ADDITIONAL MAGNIFYING GLASS FOR TYPE H, HC AND ALU MAGNIFIERS

Magnifying glass and adapter ring
8X lens

| Ref. | Value | Designation | Price |
|-------|-------|------------------------------------|-------|
| 16135 | 8X | Magnifying Glass + Ring adaptation | 20.35 |

Function is not guaranteed with older models



| Magnifier Type H + A | | | | Magnifier Type HC + A | | | | Magnifier Type Alu + A | | | |
|----------------------|-------|---------------|-------|-----------------------|-------|---------------|-------|------------------------|-------|---------------|-------|
| Ref. | No | Magnification | Price | Ref. | No | Magnification | Price | Ref. | No | Magnification | Price |
| 00520 | 1 | 18 x | 36.20 | 00531 | 1 | 18 x | 39.35 | 00545 | 1 | 18 x | 52.85 |
| 00521 | 1 1/2 | 14.5 x | 36.20 | 00532 | 1 1/2 | 14.5 x | 39.35 | 00547 | 1 1/2 | 14.5 x | 52.85 |
| 00522 | 2 | 13 x | 36.20 | 00535 | 2 | 13 x | 39.35 | 00548 | 2 | 13 x | 52.85 |
| 00525 | 2 1/2 | 12 x | 36.20 | 00536 | 2 1/2 | 12 x | 39.35 | 00549 | 2 1/2 | 12 x | 52.85 |
| 00526 | 3 | 11.5 x | 36.20 | 00538 | 3 | 11.5 x | 39.35 | 00550 | 3 | 11.5 x | 52.85 |
| 00528 | 3 1/2 | 11 x | 36.20 | 00539 | 3 1/2 | 11 x | 39.35 | 00552 | 3 1/2 | 11 x | 52.85 |
| 00529 | 4 | 10.5 x | 36.20 | 00540 | 4 | 10.5 x | 39.35 | 00553 | 4 | 10.5 x | 52.85 |

Conditions of sale: Discount 10 % for 10 identical pieces.



Schurch Asco SA



Partenaire et Savoir-faire

AV. DU 1ER MARS 33, CP 3052
CH-2001 NEUCHÂTEL
SWITZERLAND

PHONE : +41 32 724 3434

FAX : +41 32 724 3436

EMAIL : INFO@SCHURCH-ASCO.COM

WEB : WWW.SCHURCH-ASCO.COM

Microscope Pen

Microscope pen with case.



Conditions of sale: Net prices.

| Ref. | Magnification | Price |
|-------|---------------------------------|-------|
| 17377 | 50 x | 71.30 |
| 17378 | Without battery 60 - 100 x LED | 14.50 |
| 17379 | Without battery 100 x | 14.50 |
| 17374 | Without battery 200 - 240 x LED | 33.00 |



Conditions of sale:
Discount 10 % for 10 pieces.

Clip magnifying Loupe

Clip magnifying glass for spectacles wearers. It can be easily adapted to any frame type.

The set includes magnifying glasses 1.75 x, 2.35 x, 2.75 x, interchangeable. The separated magnifying Loupe are delivered with the fixation clip.

| Ref. | Magnification | Working distance | Price |
|-------|-----------------------------------|------------------|--------|
| 17384 | Full set 2.00 x / 2.50 x / 3.00 x | | 100.40 |
| 17385 | 1.75 x 3D | 250 | 77.00 |
| 17386 | 2.35 x 5.5D | 180 | 77.00 |
| 17387 | 2.75 x 7D | 125 | 77.00 |

Clip-Loupe ASCO

ALWAYS READY

Blouse, shirt or pants fit in a jiffy and never leave you.

Simple and inexpensive, plastic oil and aggressive agents resistant.

Designed to ASCO loupe plastic and ALU.



| Réf. | Packing | Price |
|-------|--------------------------------------|-------|
| 00240 | 1 Clip-Loupe in its transparent Case | 17.90 |

Conditions of sale: Net prices.

214 Magnifying Glasses

March 2024



Wooden magnifying Loupe

ASCO

PEAR TREE WOOD

Bluished 25 mm diameter lens.

| Ref. | Value | Magnifying | Price |
|-------|-------|------------|-------|
| 00198 | 2½ | 4 x | 47.00 |



Conditions of sale: Net prices.

Removable magnifying Loupe ARY

This type of lens can be assembled on any type of Loupe without scratching or unbalancing them. Their construction is very meticulous and their overall dimension is reduced. They can be adjusted, are tough and extra-light.

MINI, standard and MAXI types fit respectively to the frames carrying Loupe until 35 mm diameters, until 40 mm, and larger..



| Value | Magnification | Magnification width additional |
|-------|---------------|--------------------------------|
| 1 | 10.0 x | 18.0 x |
| 1½ | 6.5 x | 14.5 x |
| 2 | 5.0 x | 13.0 x |
| 2½ | 4.0 x | 12.0 x |
| 3 | 3.5 x | 11.5 x |
| 3½ | 3.0 x | 11.0 x |
| 4 | 2.5 x | 10.5 x |

| Ref. | Value | Type | Price | Ref. | Value | Type | Price | Ref. | Value | Type | Price |
|-------|-------|------------|-------|-------|-------|-------|-------|-------|-------|------------|-------|
| 16120 | 1 | mini right | 39.55 | 00200 | 1 | right | 39.55 | 00214 | 1 | maxi right | 40.95 |
| 16121 | 1½ | mini right | 39.55 | 00201 | 1½ | right | 39.55 | 00215 | 1½ | maxi right | 40.95 |
| 16122 | 2 | mini right | 39.55 | 00202 | 2 | right | 39.55 | 00216 | 2 | maxi right | 40.95 |
| 16123 | 2½ | mini right | 39.55 | 00203 | 2½ | right | 39.55 | 00217 | 2½ | maxi right | 40.95 |
| 16124 | 3 | mini right | 39.55 | 00204 | 3 | right | 39.55 | 00218 | 3 | maxi right | 40.95 |
| 16125 | 3½ | mini right | 39.55 | 00205 | 3½ | right | 39.55 | 00219 | 3½ | maxi right | 40.95 |
| 16126 | 4 | mini right | 39.55 | 00206 | 4 | right | 39.55 | 00220 | 4 | maxi right | 40.95 |
| 16127 | 1 | mini left | 39.55 | 00207 | 1 | left | 39.55 | 00221 | 1 | maxi left | 40.95 |
| 16128 | 1½ | mini left | 39.55 | 00208 | 1½ | left | 39.55 | 00222 | 1½ | maxi left | 40.95 |
| 16129 | 2 | mini left | 39.55 | 00209 | 2 | left | 39.55 | 00223 | 2 | maxi left | 40.95 |
| 16130 | 2½ | mini left | 39.55 | 00210 | 2½ | left | 39.55 | 00224 | 2½ | maxi left | 40.95 |
| 16131 | 3 | mini left | 39.55 | 00211 | 3 | left | 39.55 | 00225 | 3 | maxi left | 40.95 |
| 16132 | 3½ | mini left | 39.55 | 00212 | 3½ | left | 39.55 | 00226 | 3½ | maxi left | 40.95 |
| 16133 | 4 | mini left | 39.55 | 00213 | 4 | left | 39.55 | 00227 | 4 | maxi left | 40.95 |

Conditions of sale: Net prices.

Additional magnifying Loupe ARY



| Ref. | Designation | Magnification | Price |
|-------|----------------------|---------------|-------|
| 16134 | Additional magnifier | 8x | 10.35 |

Conditions of sale: Discount 18 % for 100 identical pieces.

June 2024

Magnifying Glasses 215



Schurch Asco SA



Partenaire et Savoir-faire

AV. DU 1ER MARS 33, CP 3052
CH-2001 NEUCHÂTEL
SWITZERLAND

PHONE : +41 32 724 3434
FAX : +41 32 724 3436
EMAIL : INFO@SCHURCH-ASCO.COM
WEB : WWW.SCHURCH-ASCO.COM

Headband magnifying Loupe

ZEISS

TYPE D6



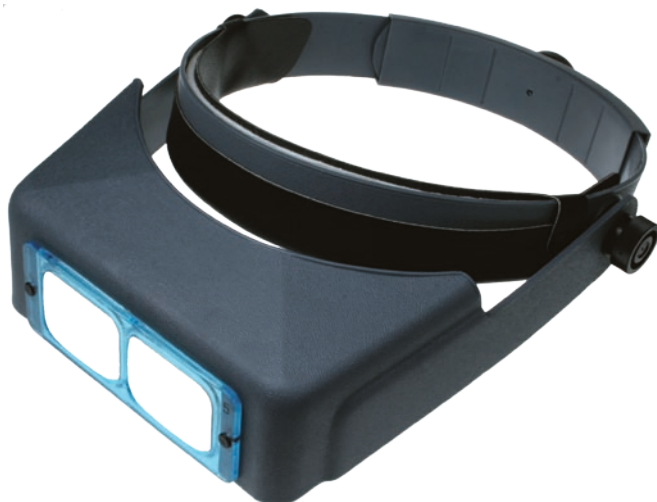
Optical diameter: 40 x 30 mm
Free working distance: 200 mm
Field of vision: 72 x 75 mm
Dimensions: l x h x L = 195 x 60 x 210
Weight ~110 g

| Ref. | Magnification | Diopter | Price |
|-------|---------------|---------|--------|
| 00246 | 1.4 x D6 | 6 | 144.00 |
| 00249 | 2 x D4 | 4 | 144.00 |

Conditions of sale: Net prices.

Headband magnifying Loupe

OPTIVISOR



High quality binocular with mobile visor with rounded edges, pull-down visor, adjustable headband with a button and a comfortable frontal part with leather lined with felt.

Can be worn over Loupe.
Weight ~240 g.

| Ref. | Magnification | Lens | Price |
|-------|---------------|------|-------|
| 16030 | 1.5 x D2 | 50 | 72.00 |
| 16031 | 1.75 x D3 | 35 | 72.00 |
| 16032 | 2 x D4 | 25 | 72.00 |
| 16033 | 2.5 x D5 | 20 | 94.70 |
| 16034 | 2.75 x D7 | 15 | 79.00 |
| 16035 | 3.5 x D10 | 10 | 79.00 |

Conditions of sale: Net prices.

Pocket magnifying Loupe 10 x

Achromatic triplet lenses diameter 18 mm 10 X. No coating for true colors. Resolution 67 lines / mm.



| Ref. | Magnification | Diameter | Price |
|-------|---------------|----------|-------|
| 16037 | 10 x | 18 mm | 69.00 |

Pocket magnifying Loupe 15 x

Achromatic magnifying glass 16 mm diameter protected by an integrated nickel steel case N° 1618.



| Ref. | Magnification | Diameter | Price |
|-------|---------------|----------|-------|
| 16036 | 15 x | 16 mm | 57.00 |

Conditions of sale: Discount 10 % for 10 pieces.

216 Magnifying Glasses

February 2024



Electronic loupe

XL2

Autonomous portable microscope and his stand with adjustable height, ideal for quality control in factory or field, for research in laboratories or outside. With its own screen 2.8 inches with 200x magnification, allows video recording to a PC via a USB port and a cable which is included. The software measures the length, perimeter, circumference, radius, angle and the objects seen area. also allows image manipulation, color enhancement and addition of text.

| Ref. | Designation | Price |
|-------|----------------------|--------|
| 17531 | Electronic loupe XL2 | 506.00 |

Color display TFT 2,8h 320 x 240 pixels

CMOS Sensor 2M pixels

Magnification: 10x40 optical

15x200 digital

Lighting: 4leds White

Resolution: 1600x1200 pixels (Jpg)

Flash Memory: 2gigabytes

Professional program



Magnifying Glasses

Conditions of sale: Net prices.

GALILEI 2.25

Magnifying glasses 2.25 have been developed to be used as magnifying glasses for binocular work with an extended working distance for the special uses in medical or technical fields.

They distinguish themselves for their good vision thanks to the stereoscopic binoculars. The compact construction of the system allows seeing over the eyepiece in order to be able to orientate oneself. The ocular system of both eyes can be adjusted with an axial adjustment system.

The standard 2.25 magnifying glass offers a comfortable and stable base thanks to its arm and spring joints. They are delivered with a hard plastic case and weigh only 46 g.

| Ref. | Field | Working distance | Price |
|-------|-------|------------------|--------|
| 17380 | 130 | 450 | 582.80 |
| 17381 | 110 | 340 | 582.80 |

Conditions of sale: Net prices.



Headband magnifying Glasses

GALILEI 2.25

Magnifying glasses 2.25 have been developed to be used as magnifying glasses for binocular work with an extended working distance for the special uses in medical or technical fields.

They distinguish themselves for their good vision thanks to the stereoscopic binoculars. The compact construction of the system allows seeing over the eyepiece in order to be able to orientate oneself. The ocular system of both eyes can be adjusted with an axial adjustment system.

The new 2.25 headband magnifying glass is ideal for glass-wearers and the users accustomed to work without glasses frame.

The eyepieces are adjustable separately and precisely thanks to a triple junction of the optical holder and can fit any head shape.

This magnifying glass can be comfortably worn for a long time.

Delivered with a hard plastic case.

| Ref. | Field | Working distance | Price |
|-------|-------|------------------|--------|
| 17382 | 130 | 450 | 654.70 |
| 17383 | 110 | 340 | 654.70 |

Conditions of sale: Discount 10 % for 10 pieces.

August 2018



Magnifying Glasses 217



Schurch Asco SA

ASCO

Partenaire et Savoir-faire

AV. DU 1ER MARS 33, CP 3052
CH-2001 NEUCHÂTEL
SWITZERLAND

PHONE : +41 32 724 3434

FAX : +41 32 724 3436

EMAIL : INFO@SCHURCH-ASCO.COM

WEB : WWW.SCHURCH-ASCO.COM



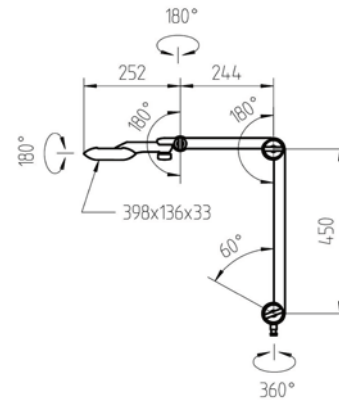
Short arm LED lamp

WALDMANN

UNIVERSAL TYPE TANEO TND 1400

Daylight lamp, 5000K.
Anodized aluminum case, with opal white diffuser.
Led 23 W, 5000k, 100-240 V, 50/60 HZ.
For watchmaker's post.

| Ref. | Designation | Article Num. | Price |
|-------|--|------------------|--------|
| 17710 | TANEO TND 1400 / 950 Adjustable Intensity | Ref : 00 809 738 | 827.00 |
| 17711 | TANEO TND 1400 / 950 Adjustable Intensity | Ref : 00 809 740 | 827.00 |



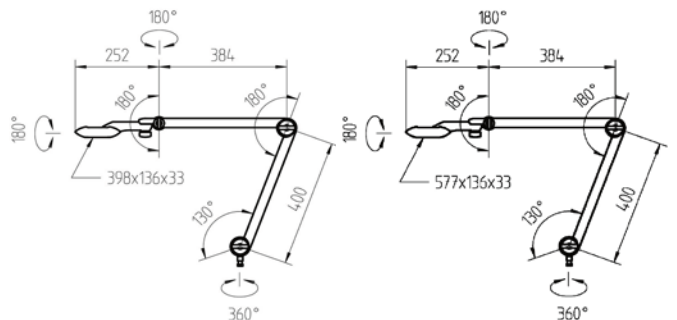
Long arm LED lamp

WALDMANN

UNIVERSAL TYPE TANEO TND

Daylight lamp, 5000K.
Anodized aluminum case, with opal white diffuser.
Led 23 W | 30 W, 5000k, 100-240 V, 50/60 HZ.
For watchmaker's post.

| Ref. | Designation | Article Num. | Price |
|-------|--|------------------|--------|
| 17712 | TANEO TND 1400 / 950 Intensité Réglable | Ref : 00 800 737 | 784.00 |
| 17713 | TANEO TND 2100 / 950 Intensité Fixe | Ref : 00 809 772 | 897.00 |



TANEO TND 1400 / 950

TANEO TND 2100 / 950



Lamp

WALDMANN

MODEL SNE

Daylight 5400 ° K, electronic, universal and with articulated arm, with diffuser white opale, with support for additional magnifying glass **16442**.

Voltage: 230 V 50/60 hz



| Ref. | Designation | Size | Article Num. | Price |
|--------------|--------------------|----------------|--------------------|--------|
| 16440 | SNE 118 - 18 watts | 308 x 118 x 70 | - | 626.00 |
| 16441 | SNE 136 - 36 watts | 485 x 118 x 70 | Ref: 00 089 979 | 639.70 |

Accessories

WALDMANN

for SNE lamp



| Ref. | Size | Price |
|--------------|--|--------|
| 16442 | Magnifying glass, diopter 3 = 1.75x, 190 x 138 | 304.00 |

LED Lamp

WALDMANN

MODEL SNLQ 54/2

- LED technology
- 4000k neutral white color temperature
- Color rendering index Ra > 95
- Anti-glare protection thanks to opal white diffuser
- Pivoting glass lens 175 x 105 mm with 3 diopters
- Light gray or black plastic case
- PC diffuser
- Spring-compensated arm
- On / off switch for segment switching on the lamp head
- Protection class IP20. protection class I
- Delivery with a connection cable of approx. 3m and CEE 7/7 type plug (earthed plug)
- Various attachments and additional magnifiers (4 diopters) available as accessories



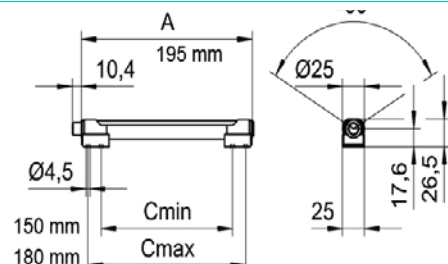
| Ref. | Designation | Article Num. | Price |
|--------------|-------------|------------------|--------|
| 16443 | SNLQ 54/2 | Ref : 00 695 504 | 831.00 |

LED surface-mounted luminaire

WALDMANN

MODEL LEA 300/850/S

Power consumption approx. 3W
Luminous flux of the light approx. 315lm
Luminous efficacy of the luminaire approx. 105lm/W
type of light/color clear neutral white
Color temperature approx. 5.000K
Dimension A=195mm, Cmin=150mm, Cmax=180mm



| Réf. | Designation | Item Num. | Price |
|--------------|---------------|------------------|--------|
| 16444 | LEA 300/850/S | Ref : 00 801 340 | 179.00 |





Schurch Asco SA

ASCO

Partenaire et Savoir-faire

AV. DU 1ER MARS 33, CP 3052
CH-2001 NEUCHÂTEL
SWITZERLAND

PHONE : +41 32 724 3434

FAX : +41 32 724 3436

EMAIL : INFO@SCHURCH-ASCO.COM

WEB : WWW.SCHURCH-ASCO.COM

LED magnifying lamp

WALDMANN

TEVISIO TVD 750 / 940

LED magnifying lamp with articulated arm and diopter glass 3.5 long arm.

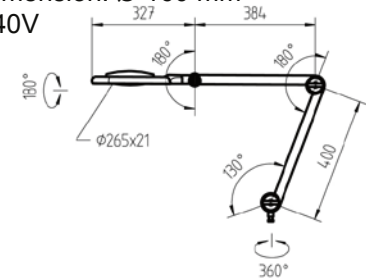
Special feature:

Additional lens.

Magnifiers / lenses; dimension: Ø 160 mm

Voltage: 14W | 100-240V

Frequency: 50/60 HZ



| Ref. | Designation | Article Num. | Price |
|-------|-------------------------------|------------------|--------|
| 17714 | Tevisio Plastic TVD 750 / 940 | Ref : 00 800 638 | 627.00 |
| 17709 | Tevisio Glass TVD 750 / 940 | Ref : 00 800 660 | 970.00 |

Additional lenses

WALDMANN

FOR TEVISIO

| Ref. | Designation | Article Num. | Price |
|-------|---------------------------------------|-------------------|-------|
| 17715 | Additional lens Tevisio TVD 750 / 940 | Ref : 00 80 29 94 | 57.00 |

POUR TANÉO

| Ref. | Designation | Article Num. | Price |
|-------|---------------------------|------------------|--------|
| 17716 | Additional lens Taneo TND | Ref : 00 575 900 | 191.00 |



Ref : 00 80 29 94
Diopter 6



Ref : 00 575 900
Diopter 3,5

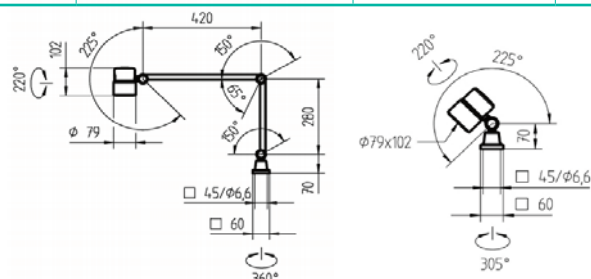
Rocia Focus Articulating Arm Lamp

WALDMANN

Brass seal for high protection IP 67.

Resistant to substances such as oils or cooling lubricants. With dimmer button.

| Ref. | Designation | Article Num | Price |
|-------|-----------------------------|------------------|--------|
| 17717 | Rocia Focus Articulated arm | Ref : 00 680 208 | 573.00 |
| 17718 | Rocia Focus On ball joint | Ref : 00 721 996 | 442.00 |



Unsecured stabilization when moving the head.



LED Lamp

WALDMANN

ROCIA FOCUS MODEL

Articulated head lamp with metal hose of 600 mm.

Voltage: 8W | 100-240V

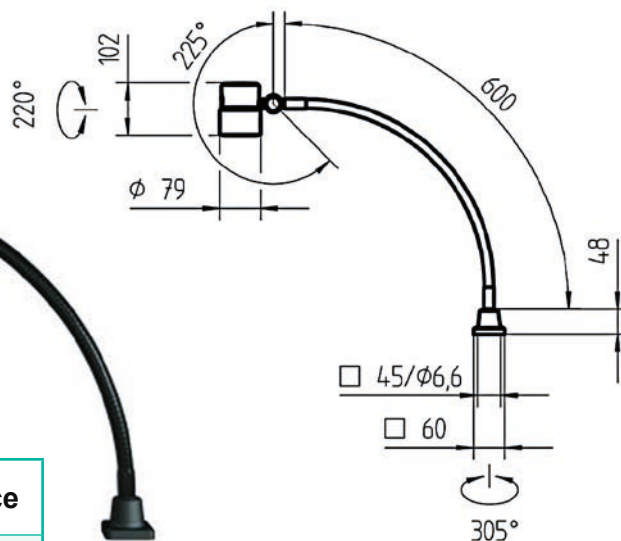
Frequency: 50/60 HZ

Temperature: 5000K

Angle of diffusion: 40 °

Brass seal for high protection IP 67.

Resistant to substances such as oils or cooling lubricants.



| Ref. | Designation | Angle of diffusion | Article Num. | Price |
|-------|-------------|--------------------|------------------|--------|
| 16439 | 600/850 D | 40 ° | Ref : 00 681 708 | 558.00 |

Lamp base

Magnetic base

Magnetic base for Waldmann HI 20 halogen lamp and Rocio focus. Complete kit with protective felt.

| Ref. | Designation | Color | Article Num. | Price |
|-------|-------------------------|-------|------------------|-------|
| 16450 | For HI 20 + Rocio focus | Black | Ref : 00 80 7466 | 69.00 |



Heavy base

Handle with care when handling the axes of the lamp.

| Ref. | Designation | Color | Article Num. | Price |
|-------|-------------------------------------|------------|---------------------|--------|
| 16448 | For : Rocio | Black | Ref : 00 014 959 | 229.00 |
| 16449 | For : Rocio / SNE / TANE0 / TEVISIO | light grey | Ref : 00 014 993 | 169.00 |



Waldmann Veneer Clamp

| Ref. | Designation | Thickness max. | Article Num. | Price |
|-------|--|----------------|---------------------|-------|
| 16445 | For : Rocio / SNE / TANE0 / TEVISIO | 45 mm | Ref : 00 014 923 | 31.00 |
| 16446 | | 65 mm | Ref : 00 014 904 | 35.00 |
| 16447 | | 135 mm | Ref : 00 014 950 | 40.00 |



Terms of Sale: Net price.

January 2023

Magnifying Glasses 221



Schurch Asco SA

ASCO

Partenaire et Savoir-faire

AV. DU 1ER MARS 33, CP 3052
CH-2001 NEUCHÂTEL
SWITZERLAND

PHONE : +41 32 724 3434

FAX : +41 32 724 3436

EMAIL : INFO@SCHURCH-ASCO.COM

WEB : WWW.SCHURCH-ASCO.COM

ASCO Binocular Microscope

SPZ-50SBG WITH ZOOM AND STAND



The microscope includes a 303 mm high column and a Ring illuminator with 54 white LEDs 6400 K, continuously adjustable intensity. The eyepieces are 45° inclined and the desk is 360° rotatable.

Magnification: 6.7 to 50 x

Zoom : 7.50 : 1

Working distance: 108

Base: plate 144 x 260

Diopter adjustment: ± 7.2 D

Total height: 405

| Ref. | Designation | Weight | Price |
|-------|-------------------------------------|--------|---------|
| 17524 | SPZ-50SBGM | 6.1 | 2095.00 |
| 17496 | rubber eye guard for SPZ + DSZ type | | 9.85 |
| 17493 | Protective Cover | | 4.35 |
| 17525 | Diffuser for LED lamp SPZ-50SBG | | 19.00 |
| 17526 | Transformer for LED lamp SPZ-50SBG | | 268.00 |

ASCO Binocular Microscope

DSZ-44 BRF LED



The microscope includes a 52 mm to 75 mm high column and a Ring illuminator with 54 white LEDs 6400 K, continuously adjustable intensity. Retro-éclairage avec filtre bleu Ø 37 mm et verre sablé Ø 80 mm. The eyepieces are 45° inclined and the desk is 360° rotatable.

Magnification: 10 to 44 x

Zoom: 4.40 : 1

Working distance: 90

Base: plate 160 x 219

Diopter adjustment: +5.6D - 7.2 D

Total height: 352

| Ref. | Designation | Weight | Price |
|-------|-----------------------|--------|---------|
| 17503 | DSZ-44 BRF LED | 4.4 | 2085.00 |
| 17494 | Transparent glass pad | | 18.10 |
| 17495 | Blu filter glass pad | | 11.30 |
| 17493 | Protective Cover | | 4.35 |

ASCO Binocular Microscope

SPZ-50PS WITH ZOOM



The microscope is delivered without light for the installation on a BOOM base. The eyepieces are 45° inclined and the desk is 360° rotatable.

Magnification: 6.7 to 50 x

Zoom: 7.50 : 1

Working distance: 108

Base: plate 220 x 284

Diopter adjustment: ±7.2 D

Total height: 372

| Ref. | Designation | Weight | Price |
|-------|-------------|--------|---------|
| 17502 | SPZ-50PS | 4.9 | 1885.50 |

Conditions of sale: Net prices.

222 Magnifying Glasses

January 2024

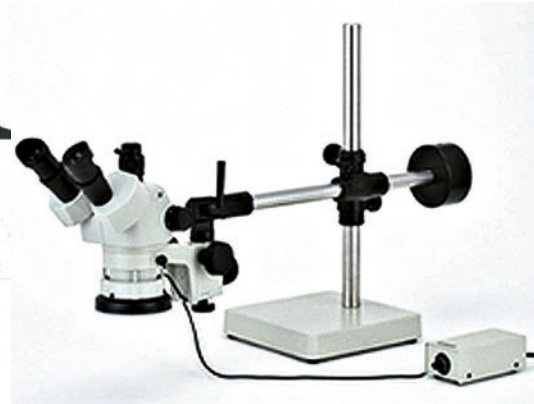


ASCO Trinocular Microscope

SPZV-50UNGM

WITH ZOOM AND STAND

Magnification: 6.7 to 50 x
Zoom: 7.50 : 1
Working distance: 108
Base: plate 230 x 230
Diopter adjustment: ± 7.2 D
Total height: 488



| Ref. | Designation | Weight | Price |
|-------|--|--------|---------|
| 17501 | SPZV-50UNGM | 24.4 | 3885.00 |
| 17492 | Pair of objectives for binocular SPZ Type DHW 10X METAL | | 184.50 |
| 17497 | rubber eyeguard for DSZ typ | | 7.60 |

SPZ-50 series is provided with a zoom that allows a magnification going from 6.7 to 50 x with a standard eyepiece DHW10x. SPZT et SPZV series allows the addition of an extra eyepiece that can be used for taking pictures or filming. A ring provided on the vertical tube allows the adjustment of the focal. The microscope includes a LED light and a system View. The eyepieces are 45° inclined and the desk is 360° rotatable.

ASCO Trinocular Microscope

SPZT-50D-SGBM

WITH ZOOM AND STAND

The microscope includes a 303 mm high column and a Ring illuminator with 54 white LEDs 6400 K, continuously adjustable intensity. The eyepieces are 45° inclined and the desk is 360° rotatable.

Magnification: 6.7 to 50 x
Zoom : 7.50 : 1
Working distance: 108
Base: plate 144 x 260
Diopter adjustment: ± 7.2 D
Total height: 405



| Ref. | Designation | Specitifications | Price |
|-------|---------------|------------------|---------|
| 17499 | SPZT-50D-SBGM | 6.2 | 2465.00 |

Microscope binocular ASCO

SPZ-50UNGM WITH ZOOM AND BOOM STAND

The microscope incorporates a high column of 544 and an annular light source with infinitely adjustable intensity. The eyepieces are inclined at 45 ° and the stage is rotatable through 360 °.

Magnification : 6.7 à 50 x
Zoom : 7.50 : 1
Working distance : 108
Support : plaque de base de 230 x 230
Diopter adjustment : ± 7.2 D
Total height : 544

| Réf. | Designation | Weight | Price |
|-------|-------------|--------|---------|
| 17505 | SPZ-50UNGM | 23.4 | 3293.00 |





Schurch Asco SA



Partenaire et Savoir-faire

AV. DU 1ER MARS 33, CP 3052
CH-2001 NEUCHÂTEL
SWITZERLAND

PHONE : +41 32 724 3434
FAX : +41 32 724 3436
EMAIL : INFO@SCHURCH-ASCO.COM
WEB : WWW.SCHURCH-ASCO.COM

CAMERA M-A UDPC5

USB / DIGITAL CAMERA 5 MEGAPIXEL

WITH MEASUREMENT SOFTWARE FOR MICROSCOPE



| Ref. | Designation | Specifications | Price |
|-------|--------------|-------------------------|--------|
| 17504 | CMOS Camera | FMA050 | 833.00 |
| 17512 | EP25-C10/100 | dia 25 mm, cross 10/100 | 86.60 |

WI-FI CAMERA

26 100-256
iOS Compatibility



| Ref. | Designation | Specifications | Price |
|-------|-------------|----------------|--------|
| 17530 | 26 100-256 | Wi-Fi Camera | 495.00 |

Conditions of sale: Net prices.

- T-PENTAX/S
- T-PENTAX/F
- T-NIKON/F
- T-MINOLTA/SR
- T-MINOLTA/A
- T-CANON/F
- T-CANON/EOS
- T-OLYMPUS/OM
- T-OLYMPUS/E 4/3
- T-KONICA
- T-FUJICA
- T-CONTAX



17513



17514

ASCO Adapter for Camera

T-MICRO

Optical connection socket for camera SLR type.
Ring for cameras of the listed brands to be used with optical socket T-Micro.
Compatible models are to be indicated in the order:

| Ref. | Designation | Type | Price |
|-------|---------------|---------|-------|
| 17513 | upper adaptor | T-micro | 42.30 |
| 17514 | ring | T-mount | 22.00 |

CCD Camera ASCO Adapter

TVA-45

Adapter for CCD camera with C assembling.



| Ref. | Designation | Price |
|-------|-------------|--------|
| 17511 | ASCO TVA-45 | 123.00 |

Spare Lighting

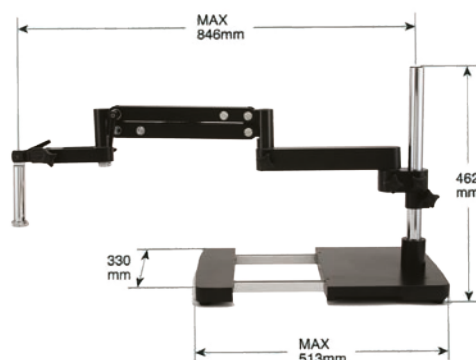
| Ref. | Designation | Type | Price |
|-------|-------------|------------|-------|
| 17520 | Rear-light | TB20-23020 | 9.90 |



BOOM STAND V-7C

Universal boom stand V-7C model with articulated arm without counter-weight. Very good stability, ideal for various types of assembling with binocular type SPZ50PS.

| Ref. | Designation | Type | Price |
|-------|-------------|------|--------|
| 17507 | BOOM Stand | V-7C | 563.00 |

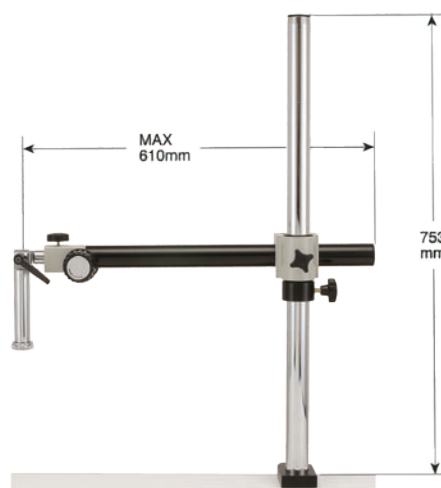


Conditions of sale: Net prices.

BOOM STAND V-3C

Universal boom stand with G clamp fixation and articulated arm.

| Ref. | Designation | Type | Price |
|-------|-------------|------|--------|
| 17518 | BOOM Stand | V-3C | 364.00 |



ASCO Gliding Stage

XR723

Gliding stage with closed circulation linear bearing.

Size: 350 x 250 x 103

Base plate: 520 x 480

Movement: 360 x 418

| Ref. | Type | Price |
|-------|-------|---------|
| 17522 | XR723 | 2198.00 |



ASCO Optical fiber Illuminator

L-150AR60/L

Cold light 150W optical fiber illuminator with ring light guide. Adjustable intensity, long life last (~200h)

| Ref. | Designation | Type | Price |
|-------|-------------|------------------|--------|
| 17508 | cold light | ASCO L-150AR60/L | 766.00 |



Conditions of sale: Net prices.

August 2021

Magnifying Glasses 225



Schurch Asco SA

ASCO

Partenaire et Savoir-faire

AV. DU 1ER MARS 33, CP 3052
CH-2001 NEUCHÂTEL
SWITZERLAND

PHONE : +41 32 724 3434
FAX : +41 32 724 3436
EMAIL : INFO@SCHURCH-ASCO.COM
WEB : WWW.SCHURCH-ASCO.COM

ASCO Optical fiber Illuminator

L-150AB/L

Cold light 150W optical fiber illuminator. Adjustable intensity with ring light guide, long life time (~200h). The additional sockets allow a lighting going from a 20 to 200 mm distance on a 10 to 40 mm diameter surface.



| Ref. | Designation | Type | Price |
|-------|----------------|-----------|--------|
| 17509 | cold light | L-150AB/L | 818.00 |
| 17515 | optical socket | L-150FL | 36.35 |

Light source

for 150AB/L - 150AR/L

| Ref. | Designation | Type | Price |
|-------|--------------|-------------|-------|
| 17519 | halogen bulb | L-150BULB/L | 69.00 |

ASCO White LED Ring Illuminator

MIC-56

Ring illuminator with 56 white LEDs, continuously adjustable intensity. White colour 4300°K. Long life last.



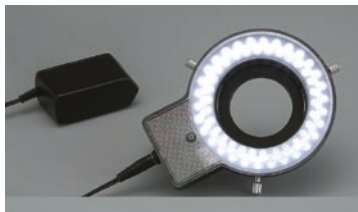
| Ref. | Designation | Type | Price |
|-------|------------------|--------|--------|
| 17510 | ring illuminator | MIC-56 | 252.00 |

ASCO White LED Ring Illuminator

LED-60T

Ring illuminator with 60 white LEDs, adjustable intensity on 4 levels. White colour 4300°K. Long life last.

Activation of LEDs: Right - Left | Up - Down



| Ref. | Designation | Type | Price |
|-------|-------------------------------|---------|--------|
| 17516 | ring illuminator | LED-60T | 211.00 |
| 17497 | AC/DC Transformer for LED-60T | | 34.00 |