



**Schurch Asco SA**



*Partenaire et Savoir-faire*

AV. DU 1ER MARS 33, CP 3052  
CH-2001 NEUCHÂTEL  
SWITZERLAND

PHONE : +41 32 724 3434

FAX : +41 32 724 3436

EMAIL : [INFO@SCHURCH-ASCO.COM](mailto:INFO@SCHURCH-ASCO.COM)

WEB : [WWW.SCHURCH-ASCO.COM](http://WWW.SCHURCH-ASCO.COM)

## 2. CUTTING TOOLS

### Horology Drill

HSS



#### YAMAMOTO MICRO DRILL

For materials generating long and short chips.

Ref.	Ø drilling	l total	l useful	Ø shaft	PRICE
Tolerance: Ø <sub>drilling</sub> = + 0 / - 0.005					
00010	0.10	19	0.6	1.0	6.90
00011	0.11	19	0.7	1.0	6.90
00012	0.12	19	0.7	1.0	6.90
00013	0.13	19	0.9	1.0	5.75
00014	0.14	19	1.0	1.0	5.75
00015	0.15	19	1.0	1.0	5.75
00016	0.16	20	1.1	1.0	5.05
00017	0.17	20	1.1	1.0	5.05
00018	0.18	20	1.2	1.0	5.05
00019	0.19	20	1.2	1.0	5.05
00020	0.20	20	1.4	1.0	4.55
00021	0.21	20	1.4	1.0	4.75
00022	0.22	20	1.6	1.0	4.75
00023	0.23	20	1.6	1.0	4.75
00024	0.24	20	1.6	1.0	4.75
00025	0.25	20	1.8	1.0	4.75
00026	0.26	20	2.0	1.0	4.75
00027	0.27	20	2.0	1.0	4.75
00028	0.28	20	2.0	1.0	4.75
00029	0.29	20	2.2	1.0	4.75
00030	0.30	20	2.2	1.0	4.40
00031	0.31	21	2.2	1.0	4.60
00032	0.32	21	2.2	1.0	4.60
00033	0.33	21	2.2	1.0	4.60
00034	0.34	21	2.2	1.0	4.60
00035	0.35	21	2.5	1.0	4.60
00036	0.36	21	2.5	1.0	4.60
00037	0.37	21	2.5	1.0	4.60
00038	0.38	21	2.5	1.0	4.60
00039	0.39	21	2.8	1.0	4.60

Ref.	Ø drilling	l total	l useful	Ø shaft	PRICE
Tolerance: Ø <sub>drilling</sub> = + 0 / - 0.005					
00040	0.40	21	2.8	1.0	4.10
00041	0.41	21	2.8	1.0	4.25
00042	0.42	21	2.8	1.0	4.25
00043	0.43	21	3.2	1.0	4.25
00044	0.44	21	3.2	1.0	4.25
00045	0.45	21	3.2	1.0	4.25
00046	0.46	21	3.2	1.0	4.25
00047	0.47	21	3.2	1.0	4.25
00048	0.48	21	3.2	1.0	4.25
00049	0.49	22	3.6	1.0	4.25
00050	0.50	22	3.6	1.0	4.10
00051	0.51	22	3.6	1.0	4.25
00052	0.52	22	3.6	1.0	4.25
00053	0.53	22	3.6	1.0	4.25
00054	0.54	22	4.0	1.0	4.25
00055	0.55	22	4.0	1.0	4.25
00056	0.56	22	4.0	1.0	4.25
00057	0.57	22	4.0	1.0	4.25
00058	0.58	22	4.0	1.0	4.25
00059	0.59	22	4.0	1.0	4.25
00060	0.60	22	4.0	1.0	4.10
00061	0.61	23	4.5	1.0	4.25
00062	0.62	23	4.5	1.0	4.25
00063	0.63	23	4.5	1.0	4.25
00064	0.64	23	4.5	1.0	4.25
00065	0.65	23	4.5	1.0	4.25
00066	0.66	23	4.5	1.0	4.25
00067	0.67	23	4.5	1.0	4.25
00068	0.68	24	5.0	1.0	4.25
00069	0.69	24	5.0	1.0	4.25

Conditions of sale: 10% discount per order of 100 identical pieces



## Horology drill

### HSS

#### YAMAMOTO MICRO DRILL



For materials generating long and short chips.

Ref.	Ø drilling	l total	l useful	Ø shaft	PRICE
Tolerance: Ø <sub>drilling</sub> = + 0 / - 0.005					
00070	0.70	24	5.0	1.0	4.10
00071	0.71	24	5.0	1.0	4.25
00072	0.72	24	5.0	1.0	4.25
00073	0.73	24	5.0	1.0	4.25
00074	0.74	25	5.6	1.0	4.25
00075	0.75	25	5.6	1.0	4.25
Tolerance: Ø <sub>drilling</sub> = + 0 / - 0.006					
00076	0.76	25	5.6	1.5	4.55
00077	0.77	25	5.6	1.5	4.55
00078	0.78	25	5.6	1.5	4.55
00079	0.79	25	5.6	1.5	4.55
00080	0.80	25	5.6	1.5	4.40
00081	0.81	25	5.6	1.5	4.55
00082	0.82	25	5.6	1.5	4.55
00083	0.83	25	5.6	1.5	4.55
00084	0.84	25	5.6	1.5	4.55
00085	0.85	25	5.6	1.5	4.55
00086	0.86	25	6.3	1.5	4.55
00087	0.87	25	6.3	1.5	4.55
00088	0.88	25	6.3	1.5	4.55
00089	0.89	25	6.3	1.5	4.55
00090	0.90	25	6.3	1.5	4.25
00091	0.91	25	6.3	1.5	4.55
00092	0.92	25	6.3	1.5	4.55
00093	0.93	25	6.3	1.5	4.55
00094	0.94	25	6.3	1.5	4.55
00095	0.95	25	6.3	1.5	4.55
00096	0.96	25	7.1	1.5	4.55
00097	0.97	25	7.1	1.5	4.55
00098	0.98	25	7.1	1.5	4.55
00099	0.99	25	7.1	1.5	4.55

Ref.	Ø drilling	l total	l useful	Ø shaft	PRICE
Tolerance: Ø <sub>drilling</sub> = + 0 / - 0.006					
00100	1.00	25	7.1	1.5	4.25
00101	1.01	25	7.1	1.5	4.55
00102	1.02	25	7.1	1.5	4.55
00103	1.03	25	7.1	1.5	4.55
00104	1.04	25	7.1	1.5	4.55
00105	1.05	25	7.1	1.5	4.55
00106	1.06	25	7.1	1.5	4.55
00107	1.07	26	8.0	1.5	4.55
00108	1.08	26	8.0	1.5	4.55
00109	1.09	26	8.0	1.5	4.55
00110	1.10	26	8.0	1.5	4.25
00111	1.11	26	8.0	1.5	4.55
00112	1.12	26	8.0	1.5	4.55
00113	1.13	26	8.0	1.5	4.55
00114	1.14	26	8.0	1.5	4.55
00115	1.15	26	8.0	1.5	4.55
00116	1.16	26	8.0	1.5	4.55
00117	1.17	26	8.0	1.5	4.55
00118	1.18	26	8.0	1.5	4.55
00119	1.19	27	9.0	1.5	4.55
00120	1.20	27	9.0	1.5	4.25
00121	1.21	27	9.0	1.5	4.55
00122	1.22	27	9.0	1.5	4.55
00123	1.23	27	9.0	1.5	4.55
00124	1.24	27	9.0	1.5	4.55
00125	1.25	27	9.0	1.5	4.55
00130	1.30	27	9.0	1.5	4.25
Tolerance: Ø <sub>drilling</sub> = + 0 / - 0.008					
00135	1.35	28	10.0	2.0	5.05
00140	1.40	28	10.0	2.0	4.85
00145	1.45	28	10.0	2.0	5.05
00150	1.50	28	10.0	2.0	4.85

Conditions of sale: 10% discount per order of 100 identical pieces



# Schurch Asco SA



*Partenaire et Savoir-faire*

AV. DU 1ER MARS 33, CP 3052  
CH-2001 NEUCHÂTEL  
SWITZERLAND

PHONE : +41 32 724 3434  
FAX : +41 32 724 3436  
EMAIL : INFO@SCHURCH-ASCO.COM  
WEB : WWW.SCHURCH-ASCO.COM

## Horology Drill

*Right cutting, 24° helix, 118° point*

**Carbide**

**1131 R**



For materials generating long and short chips.

Ref.	Ø drilling	l total	l useful	Ø shaft	PRICE
Tolerance: Ø <sub>drilling</sub> = + 0 / - 0.004				Ø <sub>shaft</sub> = h6	
08010	0.10	30	0.7	1.0	15.50
08011	0.11	30	0.7	1.0	15.00
08012	0.12	30	0.7	1.0	15.00
08013	0.13	30	0.7	1.0	15.00
08014	0.14	30	0.7	1.0	15.00
08015	0.15	30	1.0	1.0	13.60
08016	0.16	30	1.0	1.0	14.60
08017	0.17	30	1.0	1.0	14.60
08018	0.18	30	1.0	1.0	14.60
08019	0.19	30	1.0	1.0	14.60
08020	0.20	30	1.0	1.0	11.20
08021	0.21	30	1.0	1.0	13.10
08022	0.22	30	1.0	1.0	13.10
08023	0.23	30	1.0	1.0	13.10
08024	0.24	30	1.0	1.0	13.10
08025	0.25	30	1.0	1.0	11.20
08026	0.26	30	1.0	1.0	13.10
08027	0.27	30	1.0	1.0	13.10
08028	0.28	30	1.0	1.0	13.10
08029	0.29	30	1.0	1.0	13.10
08030	0.30	30	1.5	1.0	11.30
08031	0.31	30	1.5	1.0	13.10
08032	0.32	30	1.5	1.0	13.10
08033	0.33	30	1.5	1.0	13.10
08034	0.34	30	1.5	1.0	13.10
08035	0.35	30	1.5	1.0	10.10
08036	0.36	30	1.5	1.0	13.10
08037	0.37	30	1.5	1.0	13.10
08038	0.38	30	1.5	1.0	13.10
08039	0.39	30	1.5	1.0	13.10

Ref.	Ø drilling	l total	l useful	Ø shaft	PRICE
Tolerance: Ø <sub>drilling</sub> = + 0 / - 0.004				Ø <sub>shaft</sub> = h6	
08040	0.40	30	2.0	1	10.10
08041	0.41	30	2.0	1	13.10
08042	0.42	30	2.0	1	13.10
08043	0.43	30	2.0	1	13.10
08044	0.44	30	2.0	1	13.10
08045	0.45	30	3.6	1	9.10
08046	0.46	30	3.6	1	13.10
08047	0.47	30	3.6	1	13.10
08048	0.48	30	3.6	1	13.10
08049	0.49	30	4.0	1	13.10
08050	0.50	30	4.0	1	9.10
08051	0.51	30	4.0	1	13.10
08052	0.52	30	4.0	1	13.10
08053	0.53	30	4.0	1	13.10
08054	0.54	30	4.5	1	13.10
08055	0.55	30	4.5	1	9.10
08056	0.56	30	4.5	1	13.10
08057	0.57	30	4.5	1	13.10
08058	0.58	30	4.5	1	13.10
08059	0.59	30	4.5	1	13.10
08060	0.60	30	4.5	1	9.10
08061	0.61	30	5.0	1	13.10
08062	0.62	30	5.0	1	13.10
08063	0.63	30	5.0	1	13.10
08064	0.64	30	5.0	1	13.10
08065	0.65	30	5.0	1	9.10
08066	0.66	30	5.0	1	13.10
08067	0.67	30	5.0	1	13.10
08068	0.68	30	5.6	1	13.10
08069	0.69	30	5.6	1	13.10

**Conditions of sale: Discount by quantity:**  
**5% for 10 identical pieces**  
**10% for 30 identical pieces**  
**15% for 50 identical pieces**



## Horology Drill

Right cutting, 24° helix, 118° point

Carbide

1131 R



For materials generating long and short chips.

Ref.	Ø drilling	l total	l useful	Ø shaft	PRICE
Tolerance: Ødrilling = + 0 / - 0.004      Øshaft = h6					
08070	0.70	30	5.60	1.0	9.10
08071	0.71	30	5.60	1.0	13.10
08072	0.72	30	5.60	1.0	13.10
08073	0.73	30	5.60	1.0	13.10
08074	0.74	30	5.60	1.0	13.10
08075	0.75	30	5.60	1.0	8.70
08076	0.76	30	6.30	1.0	13.10
08077	0.77	30	6.30	1.0	13.10
08078	0.78	30	6.30	1.0	13.10
08079	0.79	30	6.30	1.0	13.10
08080	0.80	30	6.30	1.5	8.70
08081	0.81	30	6.30	1.5	14.20
08082	0.82	30	6.30	1.5	14.20
08083	0.83	30	6.30	1.5	14.20
08084	0.84	30	6.30	1.5	14.20
08085	0.85	30	6.30	1.5	8.70
08086	0.86	30	7.25	1.5	14.20
08087	0.87	30	7.25	1.5	14.20
08088	0.88	30	7.25	1.5	14.20
08089	0.89	30	7.25	1.5	14.20
08090	0.90	30	7.25	1.5	8.70
08091	0.91	30	7.25	1.5	14.20
08092	0.92	30	7.25	1.5	14.20
08093	0.93	30	7.25	1.5	14.20
08094	0.94	30	7.25	1.5	14.20
08095	0.95	30	7.25	1.5	8.70
08096	0.96	30	8.00	1.5	14.20
08097	0.97	30	8.00	1.5	14.20
08098	0.98	30	8.00	1.5	14.20
08099	0.99	30	8.00	1.5	14.20

Ref.	Ø drilling	l total	l useful	Ø shaft	PRICE
Tolerance: Ødrilling = + 0 / - 0.004      Øshaft = h6					
08100	1.00	30	9.00	1.5	12.20
08101	1.01	30	9.0	1.5	14.30
08102	1.02	30	9.0	1.5	14.30
08103	1.03	30	9.0	1.5	14.30
08104	1.04	30	9.0	1.5	14.30
08105	1.05	30	9.0	1.5	12.90
08106	1.06	30	9.0	1.5	14.30
08107	1.07	30	9.0	1.5	14.30
08108	1.08	30	9.0	1.5	14.30
08109	1.09	30	9.0	1.5	14.30
08110	1.10	30	9.0	1.5	12.20
08111	1.11	30	9.0	1.5	14.30
08112	1.12	30	9.0	1.5	14.30
08113	1.13	30	9.0	1.5	14.30
08114	1.14	30	9.0	1.5	14.30
08115	1.15	30	9.0	1.5	12.90
08116	1.16	30	9.0	1.5	14.30
08117	1.17	30	9.0	1.5	14.30
08118	1.18	30	9.0	1.5	14.30
08119	1.19	30	10.0	1.5	14.30
08120	1.20	30	10.0	1.5	12.20
08121	1.21	30	10.0	1.5	14.30
08122	1.22	30	10.0	1.5	14.30
08123	1.23	30	10.0	1.5	14.30
08124	1.24	30	10.0	1.5	14.30
08125	1.25	30	10.0	1.5	12.90
08130	1.30	30	10.0	1.5	12.20
08135	1.35	30	11.2	1.5	12.90
08140	1.40	30	11.2	1.5	12.20
08145	1.45	30	11.2	1.5	12.90
08150	1.50	38	11.2	2.0	15.70
08155	1.55	38	12.0	2.0	15.70
08160	1.60	38	12.0	2.0	15.70

Conditions of sale, discount by quantity:

- 5 % for 10 identical pieces
- 10 % for 30 identical pieces
- 15 % for 50 identical pieces



# Schurch Asco SA



*Partenaire et Savoir-faire*

AV. DU 1ER MARS 33, CP 3052  
CH-2001 NEUCHÂTEL  
SWITZERLAND

PHONE : +41 32 724 3434  
FAX : +41 32 724 3436  
EMAIL : [INFO@SCHURCH-ASCO.COM](mailto:INFO@SCHURCH-ASCO.COM)  
WEB : [WWW.SCHURCH-ASCO.COM](http://WWW.SCHURCH-ASCO.COM)

## Horology Drill

*Right cutting*

*HSSE with TIN surface*

**YAMAMOTO MICRO DRILL, HSSE**



TIN surface lenghtens life last.

Articles in red are in stock.

Use: high-resistance steel, stainless steel, bronze, etc.

Ref.	Ø drilling	l total	l useful	Ø shaft	PRICE
Tolerance: Ø <sub>drilling</sub> = + 0 / - 0.005					
10010	0.10	19	0.6	1.0	12.55
10011	0.11	19	0.7	1.0	12.55
10012	0.12	19	0.7	1.0	12.55
10013	0.13	19	0.9	1.0	11.40
10014	0.14	19	1.0	1.0	11.40
10015	0.15	19	1.0	1.0	11.40
10016	0.16	20	1.1	1.0	10.70
10017	0.17	20	1.1	1.0	10.70
10018	0.18	20	1.2	1.0	10.70
10019	0.19	20	1.2	1.0	10.70
10020	0.20	20	1.4	1.0	10.20
10021	0.21	20	1.4	1.0	10.40
10022	0.22	20	1.6	1.0	10.40
10023	0.23	20	1.6	1.0	10.40
10024	0.24	20	1.6	1.0	10.40
10025	0.25	20	1.8	1.0	10.40
10026	0.26	20	2.0	1.0	10.40
10027	0.27	20	2.0	1.0	10.40
10028	0.28	20	2.0	1.0	10.40
10029	0.29	20	2.2	1.0	10.40
10030	0.30	20	2.2	1.0	10.05
10031	0.31	21	2.2	1.0	10.25
10032	0.32	21	2.2	1.0	10.25
10033	0.33	21	2.2	1.0	10.25
10034	0.34	21	2.2	1.0	10.25
10035	0.35	21	2.5	1.0	10.25
10036	0.36	21	2.5	1.0	10.25
10037	0.37	21	2.5	1.0	10.25
10038	0.38	21	2.5	1.0	10.25
10039	0.39	21	2.8	1.0	10.25

Ref.	Ø drilling	l total	l useful	Ø shaft	PRICE
Tolerance: Ø <sub>drilling</sub> = + 0 / - 0.005					
10040	0.40	21	2.8	1.0	9.75
10041	0.41	21	2.8	1.0	9.90
10042	0.42	21	2.8	1.0	9.90
10043	0.43	21	3.2	1.0	9.90
10044	0.44	21	3.2	1.0	9.90
10045	0.45	21	3.2	1.0	9.90
10046	0.46	21	3.2	1.0	9.90
10047	0.47	21	3.2	1.0	9.90
10048	0.48	21	3.2	1.0	9.90
10049	0.49	22	3.6	1.0	9.90
10050	0.50	22	3.6	1.0	9.75
10051	0.51	22	3.6	1.0	9.90
10052	0.52	22	3.6	1.0	9.90
10053	0.53	22	3.6	1.0	9.90
10054	0.54	22	4.0	1.0	9.90
10055	0.55	22	4.0	1.0	9.90
10056	0.56	22	4.0	1.0	9.90
10057	0.57	22	4.0	1.0	9.90
10058	0.58	22	4.0	1.0	9.90
10059	0.59	22	4.0	1.0	9.90
10060	0.60	22	4.0	1.0	9.75
10061	0.61	23	4.5	1.0	9.90
10062	0.62	23	4.5	1.0	9.90
10063	0.63	23	4.5	1.0	9.90
10064	0.64	23	4.5	1.0	9.90
10065	0.65	23	4.5	1.0	9.90
10066	0.66	23	4.5	1.0	9.90
10067	0.67	23	4.5	1.0	9.90
10068	0.68	24	5.0	1.0	9.90
10069	0.69	24	5.0	1.0	9.90

Conditions of sale: Discount by quantity: 5% for 10 identical pieces  
10% for 30 identical pieces  
15% for 50 identical pieces



## Horology Drill

right cutting

HSSE with TIN surface

YAMAMOTO MICRO DRILL



TIN surface lengthens life last.

Articles in red are in stock.

Use: high-resistance steel, stainless steel, bronze, etc.

Ref.	Ø drilling	l total	l useful	Ø shaft	PRICE
Tolerance: Ø <sub>drilling</sub> = + 0 / - 0.005					
10070	0.70	24	5.0	1.0	9.75
10071	0.71	24	5.0	1.0	9.90
10072	0.72	24	5.0	1.0	9.90
10073	0.73	24	5.0	1.0	9.90
10074	0.74	25	5.6	1.0	9.90
10075	0.75	25	5.6	1.0	9.90
Tolerance: Ø <sub>drilling</sub> = + 0 / - 0.006					
10076	0.76	25	5.6	1.5	10.20
10077	0.77	25	5.6	1.5	10.20
10078	0.78	25	5.6	1.5	10.20
10079	0.79	25	5.6	1.5	10.20
10080	0.80	25	5.6	1.5	10.05
10081	0.81	25	5.6	1.5	10.20
10082	0.82	25	5.6	1.5	10.20
10083	0.83	25	5.6	1.5	10.20
10084	0.84	25	5.6	1.5	10.20
10085	0.85	25	5.6	1.5	10.20
10086	0.86	25	6.3	1.5	10.20
10087	0.87	25	6.3	1.5	10.20
10088	0.88	25	6.3	1.5	10.20
10089	0.89	25	6.3	1.5	10.20
10090	0.90	25	6.3	1.5	9.90
10091	0.91	25	6.3	1.5	10.20
10092	0.92	25	6.3	1.5	10.20
10093	0.93	25	6.3	1.5	10.20
10094	0.94	25	6.3	1.5	10.20
10095	0.95	25	6.3	1.5	10.20
10096	0.96	25	7.1	1.5	10.20
10097	0.97	25	7.1	1.5	10.20
10098	0.98	25	7.1	1.5	10.20
10099	0.99	25	7.1	1.5	10.20

Ref.	Ø drilling	l total	l useful	Ø shaft	PRICE
Tolerance: Ø <sub>drilling</sub> = + 0 / - 0.006					
10100	1.00	25	7.1	1.5	9.90
10101	1.01	25	7.1	1.5	10.20
10102	1.02	25	7.1	1.5	10.20
10103	1.03	25	7.1	1.5	10.20
10104	1.04	25	7.1	1.5	10.20
10105	1.05	25	7.1	1.5	10.20
10106	1.06	25	7.1	1.5	10.20
10107	1.07	26	8.0	1.5	9.70
10108	1.08	26	8.0	1.5	9.70
10109	1.09	26	8.0	1.5	9.70
10110	1.10	26	8.0	1.5	9.40
10111	1.11	26	8.0	1.5	9.70
10112	1.12	26	8.0	1.5	9.70
10113	1.13	26	8.0	1.5	9.70
10114	1.14	26	8.0	1.5	9.70
10115	1.15	26	8.0	1.5	9.70
10116	1.16	26	8.0	1.5	9.70
10117	1.17	26	8.0	1.5	9.70
10118	1.18	26	8.0	1.5	9.70
10119	1.19	27	9.0	1.5	9.70
10120	1.20	27	9.0	1.5	9.40
10121	1.21	27	9.0	1.5	9.70
10122	1.22	27	9.0	1.5	9.70
10123	1.23	27	9.0	1.5	9.70
10124	1.24	27	9.0	1.5	9.70
10125	1.25	27	9.0	1.5	9.40
10130	1.30	27	9.0	1.5	9.40
Tolerance: Ø <sub>drilling</sub> = + 0 / - 0.008					
10135	1.35	28	10.0	2.0	10.20
10140	1.40	28	10.0	2.0	10.00
10145	1.45	28	10.0	2.0	10.20
10150	1.50	28	10.0	2.0	10.00

Conditions of sale: Discount by quantity: 5% for 10 identical pieces  
10% for 30 identical pieces  
15% for 50 identical pieces



# Schurch Asco SA



*Partenaire et Savoir-faire*

AV. DU 1ER MARS 33, CP 3052  
CH-2001 NEUCHÂTEL  
SWITZERLAND

PHONE : +41 32 724 3434

FAX : +41 32 724 3436

EMAIL : [INFO@SCHURCH-ASCO.COM](mailto:INFO@SCHURCH-ASCO.COM)

WEB : [WWW.SCHURCH-ASCO.COM](http://WWW.SCHURCH-ASCO.COM)

## Horology Drill

Right cutting, 24° helix, 118° point

Carbide with TIN surface

1131 R



TIN surface lengthens life last.

Articles in red are in stock.

Use: high-resistance steel, stainless steel, bronze, etc.

Ref.	Ø drilling	l total	l useful	Ø shaft	PRICE
Tolerance: Ø <sub>drilling</sub> = + 0 / - 0.004      Ø <sub>shaft</sub> = h6					
11010	0.10	30	0.7	1.0	23.70
11011	0.11	30	0.7	1.0	23.20
11012	0.12	30	0.7	1.0	23.20
11013	0.13	30	0.7	1.0	23.20
11014	0.14	30	0.7	1.0	23.20
11015	0.15	30	1.0	1.0	21.80
11016	0.16	30	1.0	1.0	22.80
11017	0.17	30	1.0	1.0	22.80
11018	0.18	30	1.0	1.0	22.80
11019	0.19	30	1.0	1.0	22.80
11020	0.20	30	1.0	1.0	16.00
11021	0.21	30	1.0	1.0	18.10
11022	0.22	30	1.0	1.0	18.10
11023	0.23	30	1.0	1.0	18.10
11024	0.24	30	1.0	1.0	18.10
11025	0.25	30	1.0	1.0	16.00
11026	0.26	30	1.0	1.0	18.10
11027	0.27	30	1.0	1.0	18.10
11028	0.28	30	1.0	1.0	18.10
11029	0.29	30	1.0	1.0	18.10
11030	0.30	30	1.5	1.0	16.10
11031	0.31	30	1.5	1.0	18.10
11032	0.32	30	1.5	1.0	18.10
11033	0.33	30	1.5	1.0	18.10
11034	0.34	30	1.5	1.0	18.10
11035	0.35	30	1.5	1.0	15.00
11036	0.36	30	1.5	1.0	18.10
11037	0.37	30	1.5	1.0	18.10
11038	0.38	30	1.5	1.0	18.10
11039	0.39	30	1.5	1.0	18.10

Ref.	Ø drilling	l total	l useful	Ø shaft	PRICE
Tolerance: Ø <sub>drilling</sub> = + 0 / - 0.004      Ø <sub>shaft</sub> = h6					
11040	0.40	30	2.0	1.0	15.00
11041	0.41	30	2.0	1.0	18.10
11042	0.42	30	2.0	1.0	18.10
11043	0.43	30	2.0	1.0	18.10
11044	0.44	30	2.0	1.0	18.10
11045	0.45	30	3.6	1.0	14.10
11046	0.46	30	3.6	1.0	18.10
11047	0.47	30	3.6	1.0	18.10
11048	0.48	30	3.6	1.0	18.10
11049	0.49	30	4.0	1.0	18.10
11050	0.50	30	4.0	1.0	14.10
11051	0.51	30	4.0	1.0	18.10
11052	0.52	30	4.0	1.0	18.10
11053	0.53	30	4.0	1.0	18.10
11054	0.54	30	4.5	1.0	18.10
11055	0.55	30	4.5	1.0	14.10
11056	0.56	30	4.5	1.0	18.10
11057	0.57	30	4.5	1.0	18.10
11058	0.58	30	4.5	1.0	18.10
11059	0.59	30	4.5	1.0	18.10
11060	0.60	30	4.5	1.0	14.10
11061	0.61	30	5.0	1.0	18.10
11062	0.62	30	5.0	1.0	18.10
11063	0.63	30	5.0	1.0	18.10
11064	0.64	30	5.0	1.0	18.10
11065	0.65	30	5.0	1.0	14.10
11066	0.66	30	5.0	1.0	18.10
11067	0.67	30	5.0	1.0	18.10
11068	0.68	30	5.6	1.0	18.10
11069	0.69	30	5.6	1.0	18.10

Conditions of sale: Discount by quantity:      5% for 10 identical pieces  
    10% for 30 identical pieces  
    15% for 50 identical pieces



## Horology Drill

Right cutting, 24° helix, 118° point

Carbide with TIN surface

1131 R



TIN surface lengthens life last.

Articles in red are in stock.

Use: high-resistance steel, stainless steel, bronze, etc.

Ref.	Ø drilling	l total	l useful	Ø shaft	PRICE
Tolerance: Ø <sub>drilling</sub> = + 0 / - 0.004      Ø <sub>shaft</sub> = h6					
11070	0.70	30	5.6	1.0	14.10
11071	0.71	30	5.6	1.0	18.10
11072	0.72	30	5.6	1.0	18.10
11073	0.73	30	5.6	1.0	18.10
11074	0.74	30	5.6	1.0	18.10
11075	0.75	30	5.6	1.0	13.60
11076	0.76	30	6.3	1.0	18.10
11077	0.77	30	6.3	1.0	18.10
11078	0.78	30	6.3	1.0	18.10
11079	0.79	30	6.3	1.0	18.10
11080	0.80	30	6.3	1.5	13.60
11081	0.81	30	6.3	1.5	19.10
11082	0.82	30	6.3	1.5	19.10
11083	0.83	30	6.3	1.5	19.10
11084	0.84	30	6.3	1.5	19.10
11085	0.85	30	6.3	1.5	13.60
11086	0.86	30	7.1	1.5	19.10
11087	0.87	30	7.1	1.5	19.10
11088	0.88	30	7.1	1.5	19.10
11089	0.89	30	7.1	1.5	19.10
11090	0.90	30	7.1	1.5	13.60
11091	0.91	30	7.1	1.5	19.10
11092	0.92	30	7.1	1.5	19.10
11093	0.93	30	7.1	1.5	19.10
11094	0.94	30	7.1	1.5	19.10
11095	0.95	30	7.1	1.5	13.60
11096	0.96	30	8.0	1.5	19.10
11097	0.97	30	8.0	1.5	19.10
11098	0.98	30	8.0	1.5	19.10
11099	0.99	30	8.0	1.5	19.10

Ref.	Ø drilling	l total	l useful	Ø shaft	PRICE
Tolerance: Ø <sub>drilling</sub> = + 0 / - 0.004      Ø <sub>shaft</sub> = h6					
11100	1.00	30	9.0	1.5	17.10
11101	1.01	30	9.0	1.5	19.20
11102	1.02	30	9.0	1.5	19.20
11103	1.03	30	9.0	1.5	19.20
11104	1.04	30	9.0	1.5	19.20
11105	1.05	30	9.0	1.5	17.80
11106	1.06	30	9.0	1.5	19.20
11107	1.07	30	9.0	1.5	19.20
11108	1.08	30	9.0	1.5	19.20
11109	1.09	30	9.0	1.5	19.20
11110	1.10	30	9.0	1.5	17.10
11111	1.11	30	9.0	1.5	19.20
11112	1.12	30	9.0	1.5	19.20
11113	1.13	30	9.0	1.5	19.20
11114	1.14	30	9.0	1.5	19.20
11115	1.15	30	9.0	1.5	17.80
11116	1.16	30	9.0	1.5	19.20
11117	1.17	30	9.0	1.5	19.20
11118	1.18	30	9.0	1.5	19.20
11119	1.19	30	10.0	1.5	19.20
11120	1.20	30	10.0	1.5	17.10
11121	1.21	30	10.0	1.5	19.20
11122	1.22	30	10.0	1.5	19.20
11123	1.23	30	10.0	1.5	19.20
11124	1.24	30	10.0	1.5	19.20
11125	1.25	30	10.0	1.5	17.80
11130	1.30	30	10.0	1.5	17.10
11135	1.35	30	11.2	1.5	17.80
11140	1.40	30	11.2	1.5	17.10
11145	1.45	30	11.2	1.5	17.80
11150	1.50	38	11.2	2.0	20.70
11155	1.55	38	12.0	2.0	20.70
11160	1.60	38	12.0	2.0	20.70

Conditions of sale: Discount by quantity: 5% for 10 identical pieces  
10% for 30 identical pieces  
15% for 50 identical pieces





# Schurch Asco SA



*Partenaire et Savoir-faire*

AV. DU 1ER MARS 33, CP 3052  
CH-2001 NEUCHÂTEL  
SWITZERLAND

PHONE : +41 32 724 3434  
FAX : +41 32 724 3436  
EMAIL : [INFO@SCHURCH-ASCO.COM](mailto:INFO@SCHURCH-ASCO.COM)  
WEB : [WWW.SCHURCH-ASCO.COM](http://WWW.SCHURCH-ASCO.COM)

## ASCO Drill

3 lips



Carbide, High performance, 130°

385

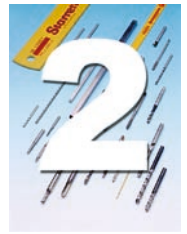
This drill assures a superior quality piercing in surface state and in centring and circularity tolerance.

Shaft : shaft  $\varnothing = 3.175 = 1/8$  "

Ref.	$\varnothing$ drilling	l total	l useful	PRICE
01441	0.150	38	2.0	28.05
01442	0.200	38	3.0	25.15
01443	0.250	38	3.5	21.20
01444	0.300	38	5.0	18.55
01445	0.350	38	5.0	18.55
01446	0.400	38	6.0	18.55
01447	0.450	38	6.0	18.55
01448	0.500	38	6.0	18.55
01449	0.550	38	7.0	12.85
01450	0.600	38	7.0	12.85
01451	0.650	38	7.0	12.85
01452	0.700	38	9.5	12.85
01453	0.750	38	9.5	12.85
01454	0.800	38	9.5	12.85
01455	0.850	38	9.5	12.85
01456	0.900	38	9.5	12.85
01457	0.950	38	9.5	12.85
01458	1.000	38	10.5	12.85
01459	1.050	38	10.5	12.85
01460	1.100	38	10.5	12.85
01461	1.150	38	10.5	12.85
01462	1.200	38	10.5	12.85
01463	1.250	38	10.5	12.85
01464	1.300	38	10.5	12.85
01465	1.350	38	10.5	12.85
01466	1.400	38	10.5	12.85
01467	1.450	38	10.5	12.85

Ref.	$\varnothing$ drilling	l total	l useful	PRICE
01468	1.500	38	10.5	12.85
01469	1.600	38	10.5	12.85
01470	1.700	38	10.5	12.85
01471	1.800	38	10.5	12.85
01486	1.850	38	10.5	12.85
01472	1.900	38	10.5	12.85
01473	2.000	38	10.5	12.85
01474	2.100	38	10.5	12.85
01475	2.200	38	10.5	12.85
01476	2.300	38	10.5	12.85
01477	2.400	38	10.5	12.85
01478	2.500	38	10.5	12.85
01479	2.600	38	10.5	12.85
01480	2.700	38	10.5	12.85
01481	2.800	38	10.5	12.85
01482	2.900	38	10.5	12.85
01483	3.000	38	10.5	12.85
01484	3.100	38	10.5	12.85
01485	3.175	38	10.5	12.85

Conditions of sale: Discount by quantity: 5% for 10 identical pieces  
10% for 30 identical pieces  
15% for 50 identical pieces



## Right cutting, 35° helix, 90° point

1135 R

Use: high-resistance steel, stainless steel, bronze, etc.  
TIN surface lengthens life last.

Carbide



## ASCO Drill short type

for setting

Carbide + TIN



Ref.	Ø drilling	l total	l useful	Ø shaft	PRICE
Tolerance: Ø <sub>drilling</sub> = + 0 / - 0.004      Ø <sub>shaft</sub> = h6					
14161	1.60	38	7.0	2.0	16.90
14181	1.80		8.0		16.90

Ref.	Ø drilling	l total	l useful	Ø shaft	PRICE
Tolerance: Ø <sub>drilling</sub> = + 0 / - 0.004      Ø <sub>shaft</sub> = h6					
15161	1.60	38	7.0	2.0	21.70
15181	1.80		8.0		21.70

1111 R

Use: for materials generating long and short chips.

Ref.	Ø drilling	l total	l useful	Ø shaft	PRICE
Tolerance: Ø <sub>drilling</sub> = + 0 / - 0.004      Ø <sub>shaft</sub> = h6					
16170	0.50	30	3.0	1.50	13.20
16175	0.80		5.0		14.20
16180	1.00		9.0		14.20

## Centring Bit

Carbide, 1 lip



Conditions of sale: Discount by quantity:  
5% for 10 identical pieces  
10% for 30 identical pieces  
15% for 50 identical pieces

Ref.	Ø drilling	l total	l useful	Ø shaft	PRICE	
08170	0.50	30	1.0	1.50	12.50	
08171	0.55		1.0		12.50	
08172	0.60		1.2		12.50	
08173	0.65		1.2		12.50	
08174	0.70		1.5		12.50	
08175	0.75		1.5		12.50	
08176	0.80		2.0			12.20
08177	0.85					12.20
08178	0.90					12.20
08179	0.95					12.20
08180	1.00					12.20
08181	1.05					12.20
08182	1.10		2.4			12.20
08183	1.15					12.20
08184	1.20					12.20
08185	1.25			12.20		
08186	1.30			12.20		
08187	1.35			12.20		
08188	1.40			12.20		
08189	1.45		12.20			

## ASCO Drill short type

Right cutting, 35° helix, 120° point

Carbide, for centring

1109 R

Use: hole centring, for mounting precious stones, for setting in aluminium, copper, platinum and stainless steel.



Conditions of sale: Net prices.



# Schurch Asco SA



*Partenaire et Savoir-faire*

AV. DU 1ER MARS 33, CP 3052  
CH-2001 NEUCHÂTEL  
SWITZERLAND

PHONE : +41 32 724 3434  
FAX : +41 32 724 3436  
EMAIL : [INFO@SCHURCH-ASCO.COM](mailto:INFO@SCHURCH-ASCO.COM)  
WEB : [WWW.SCHURCH-ASCO.COM](http://WWW.SCHURCH-ASCO.COM)

## ASCO Drill

1134 R

*Right cutting, 35° helix, 120° point*

TIN surface lengthens life last.

Use: high-resistance steel, stainless steel, bronze, etc.

Carbide

Carbide + TIN



Ref.	Ø drilling	l total	l useful	Ø shaft	Price
Tolerance: Ø <sub>drilling</sub> = + 0 / - 0.004		Ø tige = h6			
12050	0.50	30	4.00	1.0	13.30
12055	0.55	30	4.50	1.0	13.30
12060	0.60	30	4.50	1.0	13.30
12065	0.65	30	5.00	1.0	13.30
12070	0.70	30	5.60	1.0	13.30
12075	0.75	30	5.60	1.0	13.30
12080	0.80	30	6.30	1.5	13.30
12085	0.85	30	6.30	1.5	13.30
12090	0.90	30	7.10	1.5	13.30
12095	0.95	30	7.10	1.5	13.30
12100	1.00	30	9.00	1.5	13.30
12105	1.05	30	9.00	1.5	13.30
12110	1.10	30	9.00	1.5	13.30
12115	1.15	30	9.00	1.5	13.30
12120	1.20	30	10.00	1.5	13.30
12125	1.25	30	10.00	1.5	13.30
12130	1.30	30	10.00	1.5	13.30
12135	1.35	30	11.20	1.5	13.30
12140	1.40	30	11.20	1.5	13.30
12145	1.45	30	11.20	1.5	13.30
12150	1.50	38	11.20	2.0	13.30
12155	1.55	38	12.00	2.0	17.30
12160	1.60	38	12.00	2.0	17.30
12165	1.65	38	12.00	2.0	17.30
12170	1.70	38	12.00	2.0	17.30
12175	1.75	38	12.00	2.0	17.30
12180	1.80	38	12.00	2.0	17.30
12185	1.85	38	12.00	2.0	17.30
12190	1.90	38	12.00	2.0	17.30
12195	1.95	38	12.00	2.0	17.30

Ref.	Ø drilling	l total	l useful	Ø shaft	Price
Tolerance: Ø <sub>drilling</sub> = + 0 / - 0.004		Ø tige = h6			
13050	0.50	30	4.0	1.0	18.30
13055	0.55	30	4.5	1.0	18.30
13060	0.60	30	4.5	1.0	18.30
13065	0.65	30	5.0	1.0	18.30
13070	0.70	30	5.6	1.0	18.30
13075	0.75	30	5.6	1.0	18.30
13080	0.80	30	6.3	1.5	18.30
13085	0.85	30	6.3	1.5	18.30
13090	0.90	30	7.1	1.5	18.30
13095	0.95	30	7.1	1.5	18.30
13100	1.00	30	9.0	1.5	18.30
13105	1.05	30	9.0	1.5	18.30
13110	1.10	30	9.0	1.5	18.30
13115	1.15	30	9.0	1.5	18.30
13120	1.20	30	10.0	1.5	18.30
13125	1.25	30	10.0	1.5	18.30
13130	1.30	30	10.0	1.5	18.30
13135	1.35	30	11.2	1.5	18.30
13140	1.40	30	11.2	1.5	18.30
13145	1.45	30	11.2	1.5	18.30
13150	1.50	38	11.2	2.0	18.30
13155	1.55	38	12.0	2.0	22.20
13160	1.60	38	12.0	2.0	22.20
13165	1.65	38	12.0	2.0	22.20
13170	1.70	38	12.0	2.0	22.20
13175	1.75	38	12.0	2.0	22.20
13180	1.80	38	12.0	2.0	22.20
13185	1.85	38	12.0	2.0	22.20
13190	1.90	38	12.0	2.0	22.20
13195	1.95	38	12.0	2.0	22.20

Conditions of sale: Discount by quantity: 5% for 10 identical pieces  
10% for 30 identical pieces  
15% for 50 identical pieces



## ASCO Drill short type

1135 R

Right cutting, 35° helix, 120° point

For hard alloy AISi  
TIN surface lengthens life last.

Use: high-resistance steel, stainless steel, bronze, etc.

Carbide

Carbide + TIN



Ref.	Ø drilling	l total	l useful	Ø shaft	Price
Tolerance: Ø <sub>drilling</sub> = + 0 / - 0.004      Ø <sub>shaft</sub> = h6					
14060	0.60	30	4.5	1.5	13.30
14070	0.70	30	4.5	1.5	13.30
14075	0.75	30	4.5	1.5	13.30
14080	0.80	30	5.0	1.5	13.30
14085	0.85	30	5.0	1.5	13.30
14090	0.90	30	5.0	1.5	13.30
14091	0.91	30	5.0	1.5	13.30
14094	0.94	30	5.0	1.5	13.30
14095	0.95	30	5.0	1.5	13.30
14100	1.00	30	5.0	1.5	13.30
14104	1.04	30	5.0	1.5	13.30
14105	1.05	30	5.0	1.5	13.30
14110	1.10	30	5.0	1.5	13.30
14115	1.15	30	5.0	1.5	13.30
14120	1.20	30	6.0	1.5	13.30
14125	1.25	30	6.0	1.5	13.30
14130	1.30	30	6.0	1.5	13.30
14135	1.35	30	6.0	1.5	13.30
14140	1.40	30	6.0	1.5	13.30
14145	1.45	30	6.0	1.5	13.30
14148	1.48	30	6.0	1.5	13.30
14150	1.50	38	7.0	2.0	17.30
14155	1.55	38	7.0	2.0	17.30
14158	1.58	38	7.0	2.0	17.30
14160	1.60	38	7.0	2.0	17.30
14165	1.65	38	7.0	2.0	17.30
14170	1.70	38	7.0	2.0	17.30
14175	1.75	38	7.0	2.0	17.30
14178	1.78	38	8.0	2.0	17.30
14180	1.80	38	8.0	2.0	17.30
14185	1.85	38	8.0	2.0	17.30
14190	1.90	38	8.0	2.0	17.30

Ref.	Ø drilling	l total	l useful	Ø shaft	Price
Tolerance: Ø <sub>drilling</sub> = + 0 / - 0.004      Ø <sub>shaft</sub> = h6					
15060	0.60	30	4.5	1.5	18.30
15070	0.70	30	4.5	1.5	18.30
15075	0.75	30	4.5	1.5	18.30
15080	0.80	30	5.0	1.5	18.30
15085	0.85	30	5.0	1.5	18.30
15090	0.90	30	5.0	1.5	18.30
15091	0.91	30	5.0	1.5	18.30
15094	0.94	30	5.0	1.5	18.30
15095	0.95	30	5.0	1.5	18.30
15100	1.00	30	5.0	1.5	18.30
15104	1.04	30	5.0	1.5	18.30
15105	1.05	30	5.0	1.5	18.30
15110	1.10	30	5.0	1.5	18.30
15115	1.15	30	5.0	1.5	18.30
15120	1.20	30	6.0	1.5	18.30
15125	1.25	30	6.0	1.5	18.30
15130	1.30	30	6.0	1.5	18.30
15135	1.35	30	6.0	1.5	18.30
15140	1.40	30	6.0	1.5	18.30
15145	1.45	30	6.0	1.5	18.30
15148	1.48	30	6.0	2.0	18.30
15150	1.50	38	7.0	2.0	22.20
15155	1.55	38	7.0	2.0	22.20
15158	1.58	38	7.0	2.0	22.20
15160	1.60	38	7.0	2.0	22.20
15165	1.65	38	7.0	2.0	22.20
15170	1.70	38	7.0	2.0	22.20
15175	1.75	38	7.0	2.0	22.20
15178	1.78	38	8.0	2.0	22.20
15180	1.80	38	8.0	2.0	22.20
15185	1.85	38	8.0	2.0	22.20
15190	1.90	38	8.0	2.0	22.20

Conditions of sale: Discount by quantity: 5% for 10 identical pieces  
10% for 30 identical pieces  
15% for 50 identical pieces



# Schurch Asco SA



Partenaire et Savoir-faire

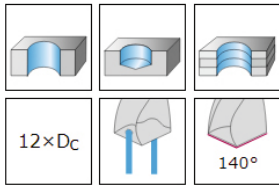
AV. DU 1ER MARS 33, CP 3052  
CH-2001 NEUCHÂTEL  
SWITZERLAND

PHONE : +41 32 724 3434

FAX : +41 32 724 3436

EMAIL : INFO@SCHURCH-ASCO.COM

WEB : WWW.SCHURCH-ASCO.COM

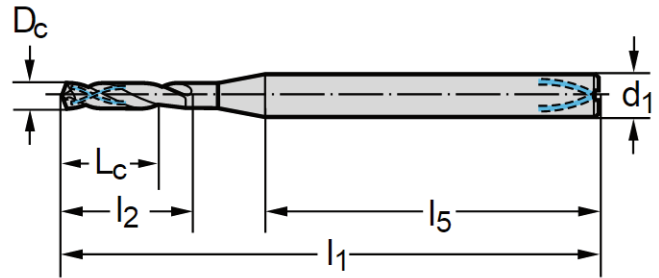
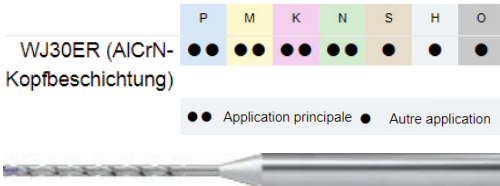


## Solid Carbide Micro Drills with internal lubrication

MD

**DB133 SUPREME**

Long cut : 12X D<sub>c</sub>



Drill with central lubrication, high performance with micro-drilling in different materials steel and stainless steel, cast iron, non ferrous metals or aluminium, copper or nickel alloys.

This drill is made of extra-fine carbide with microline surface allows a considerable lubricant flow and its geometry is fit for deep drilling.

Ref.	D <sub>c</sub>	L <sub>c</sub>	l <sub>1</sub>	l <sub>2</sub>	l <sub>5</sub>	d <sub>1</sub>	Price
08614	0.7	9.9	53	11	35	3	176.00
08615	0.75	10.8	53	12	34	3	176.00
08616	0.794	10.8	53	12	34	3	176.00
08617	0.8	10.8	53	12	34	3	176.00
08618	0.85	12.6	57	14	36	3	176.00
08619	0.9	12.6	57	14	36	3	176.00
08620	0.95	14.5	57	16	34	3	176.00
08621	1	14.5	57	16	34	3	176.00
08622	1.05	15	59	17	36	3	176.00
08623	1.1	15	59	17	36	3	176.00
08624	1.15	17	59	19	34	3	176.00
08625	1.191	17	59	19	34	3	176.00
08626	1.2	17	59	19	34	3	176.00
08627	1.25	17	59	19	34	3	176.00
08628	1.3	18	63	20	37	3	176.00
08629	1.35	19	63	22	35	3	176.00
08630	1.4	19	63	22	35	3	176.00
08631	1.45	20	63	23	34	3	176.00
08632	1.5	20	63	23	34	3	176.00
08633	1.55	22	67	25	37	3	176.00
08634	1.588	22	67	25	37	3	176.00

Ref.	D <sub>c</sub>	L <sub>c</sub>	l <sub>1</sub>	l <sub>2</sub>	l <sub>5</sub>	d <sub>1</sub>	Price
08635	1.6	22	67	25	37	3	176.00
08636	1.65	23	67	26	36	3	176.00
08637	1.7	23	67	26	36	3	176.00
08638	1.75	25	67	28	34	3	176.00
08639	1.8	25	67	28	34	3	176.00
08640	1.85	26	72	29	38	3	176.00
08641	1.9	26	72	29	38	3	176.00
08642	1.95	28	72	31	36	3	176.00
08643	1.984	28	72	31	36	3	176.00
08644	2	28	72	31	36	3	170.00
08645	2.1	29	72	33	35	3	170.00
08646	2.2	30	72	34	34	3	197.00
08647	2.3	32	77	36	37	3	197.00
08648	2.381	33	77	37	36	3	197.00
08649	2.4	33	77	37	36	3	197.00
08650	2.5	35	77	39	34	3	197.00
08651	2.6	36	83	40	39	3	197.00
08652	2.7	37	83	42	38	3	197.00
08653	2.778	38	83	43	37	3	197.00
08654	2.8	38	83	43	37	3	197.00
08655	2.9	40	83	45	35	3	197.00

Conditions of sale: discount 15%.



## ASCO Drill 1145-HH R

Right cutting, 30° helix, 140° point

Carbide + TiALN



This drill with central lubrication and TiALN surface allows a considerable lubricant flow with all the advantages that follow from it. The tolerance on the drilling diameter is written in red for the value 0/-0.004 and in black for the value h6. The shaft tolerance is constantly h6.

Ref.	Ø drilling	l total	l useful	Ø shaft	Price
17401	0.80	38	5	3	94.80
17407	1.40	38	7	3	94.80
17408	1.50	38	11	3	94.80
17409	1.60	38	11	3	94.80
17410	1.70	38	11	3	94.80
17411	1.80	38	11	3	94.80
17412	1.90	38	11	3	94.80
17413	2.00	38	15	3	94.80
17414	2.10	38	15	3	94.80
17415	2.20	38	15	3	94.80
17416	2.30	50	15	4	94.80
17417	2.40	50	15	4	94.80
17418	2.50	50	18	4	94.80
17419	2.60	50	18	4	94.80
17420	2.70	50	18	4	94.80
17421	2.80	50	18	4	94.80
17422	2.90	60	23	6	94.80
17423	3.00	66	23	6	94.80
17424	3.20	66	23	6	94.80
17425	3.30	66	23	6	94.80
17426	3.40	66	23	6	94.80
17427	3.50	66	23	6	94.80
17428	3.75	74	29	6	96.10
17429	3.80	74	29	6	96.10
17430	4.00	74	29	6	94.80
17431	4.10	74	29	6	96.10
17432	4.20	74	29	6	96.10
17433	4.30	74	29	6	96.10
17434	4.40	82	35	6	96.10
17435	4.50	82	35	6	97.50

Ref.	Ø drilling	l total	l useful	Ø shaft	Price
17436	4.80	82	35	6	97.50
17437	5.00	82	35	6	97.50
17438	5.10	82	35	6	97.50
17439	5.20	82	35	6	97.50
17440	5.30	82	35	6	97.50
17441	5.50	82	35	6	97.50
17442	5.60	82	35	6	97.50
17443	5.80	82	35	6	97.50
17444	6.00	82	35	6	97.50
17445	6.10	91	43	8	114.00
17446	6.20	91	43	8	114.00
17447	6.30	91	43	8	114.00
17448	6.35	91	43	8	119.90
17449	6.50	91	43	8	114.00
17450	6.60	91	43	8	119.90
17451	6.80	91	43	8	119.90
17452	7.00	91	43	8	114.00
17453	7.20	91	43	8	119.90
17454	7.30	91	43	8	119.90
17455	7.50	91	43	8	119.90
17456	7.60	91	43	8	119.90
17457	7.80	91	43	8	119.90
17458	8.00	91	43	8	114.00
17459	8.10	103	49	10	127.00
17460	8.20	103	49	10	127.00
17461	8.30	103	49	10	127.00
17462	8.50	103	49	10	127.00
17463	8.60	103	49	10	127.00
17464	8.80	103	49	10	127.00
17465	9.00	103	49	10	127.00
17466	9.20	103	49	10	145.90
17467	9.40	103	49	10	145.90
17468	9.50	103	49	10	145.90
17470	9.60	103	49	10	145.90
17471	9.80	103	49	10	138.70
17472	10.00	103	49	10	127.00

Conditions of sale: Discount: 5 % for 10 identical pieces

10% for 20 identical pieces

12% for 30 identical pieces

15% for 50 identical pieces



# Schurch Asco SA



*Partenaire et Savoir-faire*

AV. DU 1ER MARS 33, CP 3052  
CH-2001 NEUCHÂTEL  
SWITZERLAND

PHONE : +41 32 724 3434

FAX : +41 32 724 3436

EMAIL : [INFO@SCHURCH-ASCO.COM](mailto:INFO@SCHURCH-ASCO.COM)

WEB : [WWW.SCHURCH-ASCO.COM](http://WWW.SCHURCH-ASCO.COM)

## Machine Reamer

HSSE DIN 212

Short

Scaling: 0.01 mm

Cylindrical shaft tolerance: h6

Right cutting. Helix at left. 7 - 8 degrees

Range: 0.60 to 2.65

Tolerance: - 0 / + 0.003 mm

Entrance angle: 60°

Range: 2.66 to 3.75

Tolerance: - 0 / + 0.004 mm

Entrance angle: 45°

*high-speed steel*

*high-speed steel + Acurea*



Ref.	PRICE	Ø reamer	l <sub>total</sub>	l <sub>useful</sub>	Ø shaft	Grooves	Ref.	PRICE
09500	52.80	0.60 à 0.79	35	10	1.2	4	09600	68.60
		0.80 à 0.85	40	15				
09501	34.80	0.86 à 1.05	40	15	1.2	4	09601	45.20
09502	33.50	1.06 à 1.18	40	15	1.2	4	09602	43.60
09503	33.50	1.19 à 1.32	40	15	1.2	4	09603	43.60
09504	33.50	1.33 à 1.50	40	15	1.5	4	09604	43.60
09505	33.50	1.51 à 1.70	50	20	2.0	4	09605	43.60
09506	33.50	1.71 à 1.90	50	20	2.0	4	09606	43.60
09507	33.50	1.91 à 2.05	50	20	2.0	4	09607	43.60
09508	29.30	2.06 à 2.12	50	20	2.0	4	09608	42.50
09509	29.30	2.13 à 2.36	50	20	2.5	4	09609	42.50
09510	29.30	2.37 à 2.65	50	20	2.5	4	09610	42.50
09511	26.40	2.66 à 2.75	61	20	2.5	6	09611	38.30
09512	26.40	2.76 à 2.90	61	20	2.5	6	09612	38.30
09513	26.40	2.91 à 3.05	61	20	2.5	6	09613	38.30
09514	26.40	3.06 à 3.20	65	25	3.0	6	09614	42.20
09515	26.40	3.21 à 3.35	65	25	3.0	6	09615	42.20
09516	26.40	3.36 à 3.55	70	25	3.0	6	09616	42.20
09517	26.40	3.56 à 3.75	70	25	3.0	6	09617	42.20

Conditions of sale: Discount by quantity:

15% for 5 identical pieces

20% for 10 identical pieces



Scaling: **0.01 mm**  
Cylindrical shaft tolerance: h6

## Machine Reamer

DIN 212

Long

Right cutting. Helix at left. 7 - 8 degrees  
Range: 0.60 to 2.65 Tolerance: - 0 / + 0.003 mm  
Entrance angle: **60°**  
Range: 2.66 to 20.05 Tolerance: - 0 / + 0.004 mm  
Entrance angle: **45°**

*high-speed steel*

*high-speed steel + Acurea*



Ref.	PRICE	Ø reamer	l total	l useful	l shaft	Ø shaft	Grooves	Ref.	PRICE
09518	29.00	3.76 à 4.05	75	25	32	4.0	6	09618	46.40
09519	29.00	4.06 à 4.25	75	25	32	4.0	6	09619	52.20
09520	30.60	4.26 à 4.55	80	28	32	4.5	6	09620	55.10
09521	30.60	4.56 à 4.75	80	28	32	4.5	6	09621	55.10
09522	31.60	4.76 à 5.05	86	28	34	5.0	6	09622	56.90
09523	31.60	5.06 à 5.30	86	28	34	5.0	6	09623	56.90
09524	33.50	5.31 à 5.55	93	32	36	5.5	6	09624	60.30
09525	33.50	5.56 à 6.05	93	32	36	5.5	6	09625	60.30
09526	34.80	6.06 à 6.70	101	32	38	6.0	6	09626	62.60
09527	36.10	6.71 à 7.05	109	32	40	7.0	6	09627	65.00
09528	36.10	7.06 à 7.55	109	32	40	7.0	6	09628	65.00
09529	37.40	7.56 à 8.05	117	33	42	8.0	6	09629	67.30
09530	37.40	8.06 à 8.50	117	33	42	8.0	6	09630	67.30
09531	37.40	8.51 à 9.05	125	36	42	9.0	6	09631	67.30
09532	42.00	9.06 à 9.50	125	36	42	9.0	6	09632	75.60
09533	42.00	9.51 à 10.05	133	38	44	10.0	6	09633	75.60
09534	46.40	10.06 à 10.60	133	38	44	10.0	6	09634	83.50
09535	46.40	10.61 à 11.05	142	41	44	10.0	6	09635	83.50
09536	61.20	11.06 à 11.80	142	41	44	10.0	6	09636	110.20
09537	61.20	11.81 à 12.05	151	44	44	10.0	6	09637	110.20
09538	80.60	12.06 à 13.20	151	44	44	10.0	6	09638	145.10
09539	98.00	13.21 à 14.05	160	47	50	12.5	8	09639	176.40
09540	98.00	14.06 à 15.05	162	50	50	12.5	8	09640	176.40
09541	99.90	15.06 à 16.05	170	52	50	12.5	8	09641	179.80
09542	123.80	16.06 à 17.05	175	54	52	14.0	8	09642	222.80
09543	123.80	17.06 à 18.05	182	56	52	14.0	8	09643	222.80
09544	123.80	18.06 à 19.05	189	58	58	16.0	8	09644	260.00
09545	126.30	19.06 à 20.05	195	60	58	16.0	8	09645	265.20

Conditions of sale: Discount by quantity: 15% for 5 identical pieces  
20% for 10 identical pieces





# Schurch Asco SA



*Partenaire et Savoir-faire*

AV. DU 1ER MARS 33, CP 3052  
CH-2001 NEUCHÂTEL  
SWITZERLAND

PHONE : +41 32 724 3434

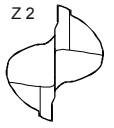
FAX : +41 32 724 3436

EMAIL : [INFO@SCHURCH-ASCO.COM](mailto:INFO@SCHURCH-ASCO.COM)

WEB : [WWW.SCHURCH-ASCO.COM](http://WWW.SCHURCH-ASCO.COM)

Recommended for high-speed manufacturing.  
Excellent results with 20 HRC to 50 HRC steel.  
Articles in red are in stock

## Milling-cutter ASCO



7242

Central cutting according to norm: DIN 6527  
Long life last.

*Hard metal*



*Hard metal + TiAlN*



Ref.	Price	Ø <sub>nominal</sub>	Ø <sub>shaft</sub>	l <sub>total</sub>	l <sub>useful</sub>	Grooves	Ref.	Price
08230	30.60	0.30	3	38	0.6	2	08260	37.00
08231	30.60	0.40	3	38	0.8	2	08261	37.00
08228	31.80	0.45	3	38	1.0	2	08258	38.30
08232	25.30	0.50	3	38	1.0	2	08262	31.80
08233	26.60	0.60	3	38	1.2	2	08263	33.00
08234	26.60	0.70	3	38	1.4	2	08264	33.00
08235	26.60	0.80	3	38	1.6	2	08265	33.00
08236	26.60	0.90	3	38	1.8	2	08266	33.00
08237	21.40	1.00	3	38	2.0	2	08267	27.70
08238	26.60	1.10	3	38	2.2	2	08268	33.00
08239	31.80	1.20	3	38	2.4	2	08269	33.00
08240	26.60	1.30	3	38	2.6	2	08270	33.00
08241	26.60	1.40	3	38	2.8	2	08271	33.00
08242	21.40	1.50	3	38	3.0	2	08272	27.70
08243	26.60	1.60	3	38	3.2	2	08273	33.00
08244	26.60	1.70	3	38	3.4	2	08274	33.00
08245	26.60	1.80	3	38	3.6	2	08275	33.00
08246	26.60	1.90	3	38	4.0	2	08276	33.00
08247	21.40	2.00	3	38	6.0	2	08277	27.70
08248	22.90	2.50	3	38	7.0	2	08278	29.40
08249	31.80	3.00	6	57	7.0	2	08279	39.90
08250	40.20	3.50	6	57	7.0	2	08280	48.30

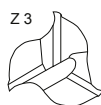
Conditions of sale: Discount by quantity:

5% for 10 identical pieces  
10% for 30 identical pieces  
15% for 50 identical pieces



## Milling-cutter ASCO

7243



Recommended for high-speed manufacturing.  
Excellent results with 20 HRC to 50 HRC steel.  
Articles in red are in stock.

Central cutting according to norm: DIN 6527  
Long life last.

*Hard metal*

*Hard metal + TiAlN*



Ref.	Price	Ø <sub>nominal</sub>	Ø <sub>shaft</sub>	L <sub>total</sub>	L <sub>useful</sub>	Grooves	Ref.	Price
08290	25.30	1.00	3.0	38	3.0	3	08320	31.80
08291	31.80	1.25	3.0	38	3.9	3	08321	38.30
08292	25.30	1.50	3.0	38	4.5	3	08322	31.80
08311	33.30	1.70	3.0	38	5.4	3	08341	39.90
08293	32.80	1.75	3.0	38	5.4	3	08323	39.20
08294	24.10	2.00	3.0	38	6.0	3	08324	30.60
08295	24.10	2.50	3.0	38	7.0	3	08325	30.60
08296	32.10	3.00	6.0	57	7.0	3	08326	40.20
08297	39.60	3.50	6.0	57	7.0	3	08327	47.60
08298	34.70	4.00	6.0	57	8.0	3	08328	42.60
08299	41.50	4.50	6.0	57	8.0	3	08329	52.60
08300	36.40	5.00	6.0	57	10.0	3	08330	44.50
08301	41.50	5.50	6.0	57	10.0	3	08331	52.60
08302	30.90	6.00	6.0	57	10.0	3	08332	38.90
08303	55.80	SP 6.00	8.0	63	12.0	3	08333	65.50
08304	62.90	7.00	8.0	63	13.0	3	08334	72.70
08306	45.00	8.00	8.0	63	16.0	3	08336	54.90
08307	82.80	SP 8.00	10.0	63	15.0	3	08337	94.10
08308	91.30	9.00	10.0	72	16.0	3	08338	102.90
08310	53.70	10.00	10.0	72	19.0	3	08340	65.50
08312	80.35	SP 10.00	10.0	72	19.0	3	08342	95.85

**Milling-cutters diameter 6.00 mm and above are equipped with a chamfer.  
SP types are without chamfer.**

Conditions of sale: Discount by quantity:

5% for 10 identical pieces

10% for 30 identical pieces

15% for 50 identical pieces



**Schurch Asco SA**

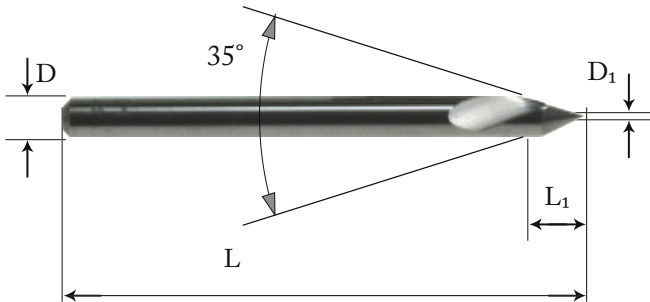


*Partenaire et Savoir-faire*

AV. DU 1ER MARS 33, CP 3052  
CH-2001 NEUCHÂTEL  
SWITZERLAND

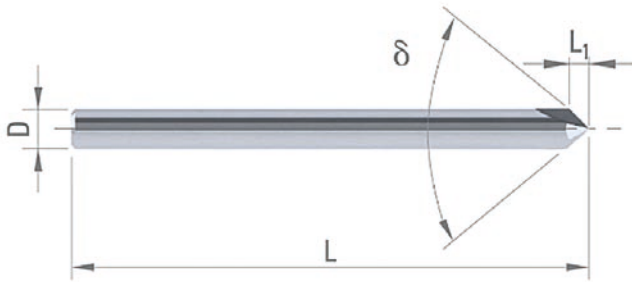
PHONE : +41 32 724 3434  
FAX : +41 32 724 3436  
EMAIL : INFO@SCHURCH-ASCO.COM  
WEB : WWW.SCHURCH-ASCO.COM

**HM FG 911 engraving cutter  
Helical 35°, 3/4**



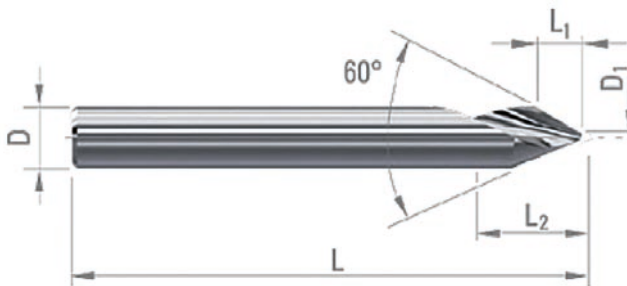
Ref.	D <sub>1</sub>	TOLERANCE	L <sub>1</sub>	D	L	PRICE
16166	0.20	± 0.02	4.4	3	38	35.30

**HM 7625 angle milling cutter  
Internal angles**



Ref.	L <sub>1</sub>	δ	D <sup>h5</sup>	L	PRICE
16163	2.60	60 °	3	38	31.10
16164	1.50	90 °			26.60
16165	0.90	120 °			31.10

**HM 7025 engraving cutter  
Helical 60° Completed Execution**



Ref.	D <sub>1</sub>	TOLERANCE	L <sub>2</sub>	D <sup>h5</sup>	L	L <sub>1</sub>	PRICE
16930	0.10	± 0.02	9	3	38	2.50	30.30
16931	0.15	± 0.02	12	4	50	3.30	33.30

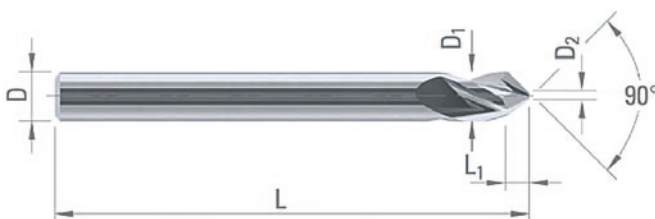
**Chamfer cutter HM 7623  
At 90° for general machining**

D1 e8

Ø < 2.00 | 0 / -0.01

Tol D2 2 ± 0.05

Ø < 3.00 | 0 / -0.02

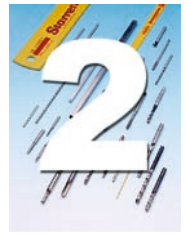


Ref.	D <sub>1</sub>	D <sub>2</sub>	L <sub>1</sub>	D <sup>h5</sup>	L	PRIX
16920	0.50	0.05	1.5	3	38	29.60
16921	0.80	0.08	1.5	3	38	28.40
16922	1.00	0.10	2.0	3	38	28.40
16923	2.00	0.20	3.0	3	38	29.70
16924	3.00	0.30	5.0	3	38	32.10

Conditions of sale : Net prices.

50 Cutting Tools

February 2024



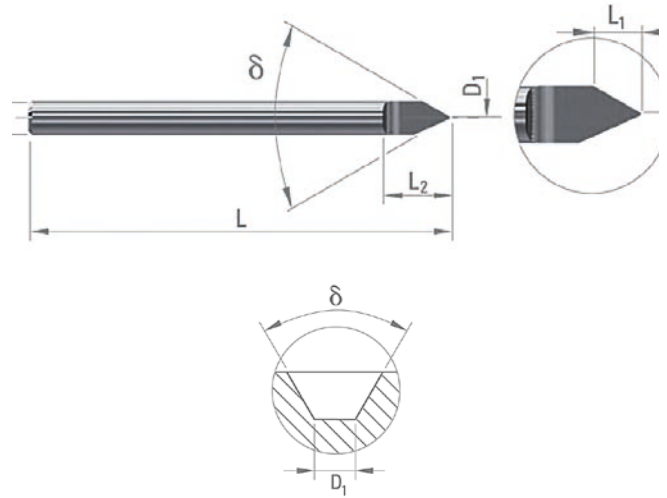
## Flat engraving milling-cutter HM 7017 1/2 Execution Completed

For bottom plate, case, dial and back cover.

### Material to be machined

○ good    ⊙ excellent

Steel + Pb	Low alloyed steel	High alloyed steel	DUPLEX stainless steel	Cast iron
Refractory alloy	Titanium	Cu alloy Silver Gold	Cu alloy difficult to machine	Al
Graphite	Plastic	Gold	Silver	



### Untreated 60 °

### DINAC PVD treated

Ref.	Price	Flat <sub>front</sub>	L	L1	L2	D <sup>h6</sup>	δ	Article N°	Ref.	PRICE
17750	30.40	0.05	38	2.4	6	3	60 °	7017	17760	36.00
17751	28.40	0.08	38	2.4	6	3		7017	17761	34.40
17752	27.40	0.10	38	2.4	6	3		7017	17762	33.10
17753	27.40	0.15	38	2.4	6	3		7017	17763	33.10
17754	27.40	0.20	38	2.4	6	3		7017	17764	33.10
17755	37.70	0.05	50	3.3	8	4		7017	17765	44.00
17756	35.00	0.10	50	3.3	8	4		7017	17766	41.10

### Untreated 50 ° | 40 ° | 30 °

### DINAC PVD treated

Ref.	Price	Flat <sub>front</sub>	L	L1	L2	D <sup>h6</sup>	δ	Article N°	Ref.	PRICE
17800	30.40	0.05	38	3	6	3	50 °	7017	17815	36.00
17801	27.40	0.08	38	3	6	3	50 °	7017	17816	33.10
17802	27.40	0.10	38	3	6	3	50 °	7017	17817	33.10
17803	27.40	0.15	38	3	6	3	50 °	7017	17818	33.10
17804	27.40	0.20	38	3	6	3	50 °	7017	17819	33.10
17805	30.40	0.05	38	4	4	3	30 °	7017	17820	39.50
17806	27.40	0.10	38	4	4	3	30 °	7017	17821	33.10
17807	27.40	0.15	38	4	4	3	30 °	7017	17822	33.10
17808	27.40	0.20	38	4	4	3	30 °	7017	17823	33.10
17809	52.20	0.20	57	12	8	6	40 °	7017	17824	-



# Schurch Asco SA

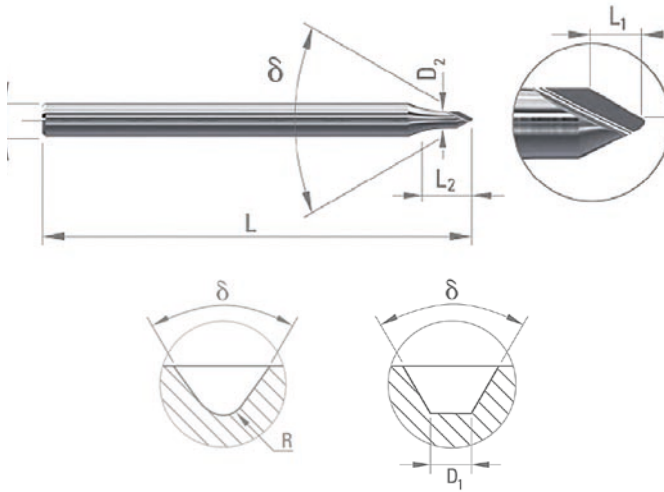


Partenaire et Savoir-faire

AV. DU 1ER MARS 33, CP 3052  
CH-2001 NEUCHÂTEL  
SWITZERLAND

PHONE : +41 32 724 3434  
FAX : +41 32 724 3436

EMAIL : INFO@SCHURCH-ASCO.COM  
WEB : WWW.SCHURCH-ASCO.COM



## Flat / Radius and engraving Milling-Cutter HM 7007 3/4 Execution Completed

For bottom plate, case, dial and back cover.

## Material to be machined

○ good    ⊙ excellent

Steel + Pb	Low alloyed steel	High alloyed steel	DUPLEX stainless steel	Cast iron 45-65 HRC
Cast iron	Refractory alloy	Titanium	Cu alloy Silver Gold	Cu alloy difficult to machine
Al	Graphite	Plastic	Gold	Silver

## Untreated 60 ° | 50 ° | 40 ° | 35 ° | 30 °      DINAC PVD treated

Ref.	Price	Flat front	L	L1	L2	D <sup>h6</sup>	δ	D <sup>2</sup>	Article NO	Ref.	PRICE
17770	31.80	0.05	38	1.10	2.30	3.0	60 °	1.50	7007	17785	37.50
17771	30.90	0.08	38	1.10	2.30	3.0	60 °	1.50	7007	17786	36.50
17772	30.90	0.10	38	1.10	2.30	3.0	60 °	1.50	7007	17787	36.50
17773	30.90	0.15	38	1.10	2.30	3.0	60 °	1.50	7007	17788	36.50
17774	31.80	0.05	38	1.40	2.30	3.0	50 °	1.50	7007	17789	37.50
17775	30.90	0.08	38	1.40	2.30	3.0	50 °	1.50	7007	17790	36.50
17776	30.90	0.10	38	1.40	2.30	3.0	50 °	1.50	7007	17791	36.50
17777	30.90	0.15	38	1.40	2.30	3.0	50 °	1.50	7007	17792	36.50
17778	31.80	0.05	38	1.70	3.20	3.0	40 °	1.50	7007	17793	37.50
17779	30.90	0.08	38	1.70	3.20	3.0	40 °	1.50	7007	17794	36.50
17830	30.90	0.10	38	1.70	3.20	3.0	40 °	1.50	7007	17845	36.50
17831	30.90	0.15	38	1.70	3.20	3.0	40 °	1.50	7007	17846	36.50
17832	30.90	0.20	38	1.70	3.20	3.0	40 °	1.50	7007	17847	36.50
17833	31.80	0.05	38	2.00	3.40	3.0	35 °	1.50	7007	17848	37.50
17834	30.90	0.08	38	2.00	3.40	3.0	35 °	1.50	7007	17849	36.50
17835	30.90	0.10	38	2.00	3.40	3.0	35 °	1.50	7007	17850	36.50
17836	31.80	0.05	38	2.50	3.40	3.0	30 °	1.50	7007	17851	37.50
17837	30.90	0.08	38	2.50	3.40	3.0	30 °	1.50	7007	17852	36.50
17838	30.90	0.10	38	2.50	3.40	3.0	30 °	1.50	7007	17853	36.50
17839	30.90	0.15	38	2.50	3.40	3.0	30 °	1.50	7007	17854	36.50

## Untreated 35 °      DINAC PVD treated

Ref.	Price	Radius front	L	L1	L2	D <sup>h6</sup>	δ	D <sup>2</sup>	Article NO	Ref.	PRICE
17840	38.30	0.05	38	1.90	3.4	3.0	35 °	1.50	7007	17855	44.00
17841	35.30	0.10	38	1.90	3.4	3.0	35 °	1.50	7007	17856	40.20
17842	35.30	0.15	38	1.90	3.4	3.0	35 °	1.50	7007	17857	40.20
17843	35.30	0.20	38	1.90	3.4	3.0	35 °	1.50	7007	17858	40.20

Conditions of sale: Net price.



## Machine Hacksaws

STARRETT



HARDENED HIGH-SPEED STEEL

Ref	Type	Dimension	Teeth / 25 mm	Designation	Price
02216	by hand	300 x 13 x 0.65	24	BS 1224	2.20
02200	machine	300 x 25 x 2.50	10	RS 1210-5	15.00
02201	machine	300 x 25 x 2.50	14	RS 1214-5	15.00
02202	machine	350 x 25 x 2.50	10	RS 1410-5	17.50
02203	machine	350 x 32 x 1.60	6	RS 1406-6	23.50
02204	machine	350 x 32 x 1.60	10	RS 1410-6	23.50
02205	machine	400 x 32 x 2.50	6	RS 1606-6	34.40
02206	machine	400 x 32 x 2.50	10	RS 1610-6	26.90
02207	machine	425 x 32 x 1.60	6	RS 1706-6	28.50
02208	machine	425 x 32 x 1.60	10	RS 1710-6	28.50
02209	machine	450 x 32 x 1.60	6	RS 1806-6	30.20
02210	machine	450 x 38 x 2.00	4	RS 1804-7	32.90
02211	machine	450 x 38 x 2.00	6	RS 1806-7	26.15
02212	machine	450 x 45 x 2.25	4	RS 1804-8	35.70
02213	machine	450 x 45 x 2.20	6	RS 1806-8	35.70
02214	machine	500 x 48 x 2.50	4	RS 1904-0	45.90
02215	machine	525 x 45 x 2.30	6	RS 2106-8	39.30

Conditions of sale : Discount of 15% on the mentioned prices

## Machine Hacksaws

FEARLESS

HARDENED HIGH-SPEED STEEL



Ref	Type	Dimension	Teeth / 25 mm	Price	Price / 10 pieces
02220	machine	300 x 32 x 1.60	6	13.50	121.00
02221	machine	350 x 38 x 1.90	4	13.50	121.00
02222	machine	350 x 38 x 1.90	6	13.50	121.00
02223	machine	425 x 32 x 1.60	4	16.50	148.00
02219	by hand	300 x 13 x 0.65	Progressive	2.60	26.00
02224	machine	450 x 32 x 1.60	10	17.50	155.00
02225	machine	450 x 45 x 1.40	4	28.00	253.00
02226	machine	450 x 45 x 2.20	6	28.00	253.00
02227	machine	530 x 38 x 1.90	6	36.00	325.00

Conditions of sale: Discount of 15% on the mentioned prices



# Schurch Asco SA



*Partenaire et Savoir-faire*

AV. DU 1ER MARS 33, CP 3052  
CH-2001 NEUCHÂTEL  
SWITZERLAND

PHONE : +41 32 724 3434  
FAX : +41 32 724 3436  
EMAIL : [INFO@SCHURCH-ASCO.COM](mailto:INFO@SCHURCH-ASCO.COM)  
WEB : [WWW.SCHURCH-ASCO.COM](http://WWW.SCHURCH-ASCO.COM)

**ASCO Bar**  
**HSS-ES**  
*Hardened and ground*



### G20 SQUARE SECTION ISO 5421 / 77 Tolerance h13

Ref.	Dimension	Price
00821	5 x 150	71.50
00823	7 x 200	25.20
00824	8 x 200	35.00
00825	10 x 200	38.30
00826	12 x 200	42.00



### G20 RECTANGULAR SECTION ISO 541 / 77 Tolerance h13

Ref.	Dimension	Price
00827	4 x 2 x 60	13.00
00828	4 x 2.2 x 60	13.00



### HSS-E-PM ROUND SECTION Tolerance h7

Réf.	Dimension	Prix
00829	0.90 x 35	2.00
00830	1.00 x 35	2.00
00831	1.10 x 35	2.00
00832	1.20 x 35	2.00
00833	1.30 x 35	2.00
00834	1.40 x 35	2.00
00835	1.50 x 35	2.00

Conditions of sale: Discount of 10 % per minimum order of 100 pieces only for the round bars.